



James C. Porter
Director

County Government Center
555 County Center, 5th Floor
Redwood City, CA 94063
650-363-4100 T
650-361-8220 F
www.smcgov.org

November 24, 2020

COUNTY OF SAN MATEO

**MIDDLEFIELD ROAD IMPROVEMENT PROJECT
IN THE NORTH FAIR OAKS AREA**

**TOTAL PROJECT APPROXIMATELY 0.5 MILE IN LENGTH
WITH APPURTENANT WORK THERETO
IN SAN MATEO COUNTY**

**COUNTY PROJECT NO. OD420
PROJECT FILE NO. E4931**

ADDENDUM NO. 1

TO ALL PLAN HOLDERS:

The following **Addendum No. 1** to the above referenced project, dated October 16, 2020, shall be included in the project plans and specifications.

1. Page viii of the Table of Contents Section shall be replaced in the Project Specifications:

Replace page viii of the Table of Contents Section with pages viii (rev)

2. Pages 6, 7, 13 and 14 of the NC (Notice to Contractor) Section shall be replaced in the Project Specifications:

Replace pages 6, 7, 13 and 14 of the NC Section with pages 6 (rev), 7 (rev), 13 (rev) and 14 (rev)

3. Pages 502 and 504 of the SP (Special Provisions) Section shall be replaced in the Project Specifications:

Replace pages 502 and 504 of the SP Section with pages 502 (rev) and 504 (rev)

4. The Contractor's Check-Off List, pages 6 - 10 and 16 - 49 of the PR (Proposal) Section shall be replaced in the Project Specifications:

Replace Contractor's Check-Off List, pages 6 – 10 and 16 – 49 of the PR Section with Contractor's Check-off List (rev), pages 6 (rev) - 10 (rev) and 16 (rev) - 55 (rev)



To All Plan Holders
Middlefield Road Improvements Project
Addendum No. 1
November 24, 2020

Page 2

5. Sheets TS-13 and SL-1 shall be replaced in the Project Plans:

Replace sheets TS-13 (Sheet 73 of 140) and SL-1 (Sheet 135 of 140) with pages TS-13 (rev) (Sheet 73 of 140) and SL-1 (rev) (Sheet 135 of 140).

Please sign and return the attached "Receipt of Addendum No. 1" form. The "Receipt of Addendum No. 1" form MUST be received in this office no later than 4:00 PM, Friday, December 4, 2020 or the bid will NOT be considered. The Receipt of Addendum can be emailed to Gil Tourel's attention email at gtourel@smcgov.org.

If you have any questions or require additional information, please contact Monika Raman, Carter Choi, or Gil Tourel of our office at (650) 363-4100. They can also be reached by e-mail at:

mraman@smcgov.org
cchoi@smcgov.org
gtourel@smcgov.org

Very truly yours,



for James C. Porter
Director of Public Works

JCP:AMS:GT:CC:MR

F:\Users\design\C3D\E4931000_Middlefield Rd\Bid Process\Addendums (OD420)\Addendum No.1\Addendum No.1 Cover Letter.doc

Encl.- "Receipt of Addendum No. 1" Form

Revised Page viii (rev) of Table of Contents

Revised Pages 6 (rev) - 7 (rev) and 13 (rev) - 14 (rev) of the NC (Notice to Contractor) Section

Revised Pages 502 (rev) and 504 (rev) of the SP (Special Provisions) Section

Revised Contractor Check-off List (rev), pages 6 (rev) -10 (rev) and pages 16 (rev) – 55 (rev) of the PR (Proposal) Section

Revised Sheets TS-13 (rev) and SL-1 (rev) of the project plans

cc: Ann M. Stillman, Deputy Director, Engineering and Resource Protection
Gil Tourel, Principal Civil Engineer, Engineering and Construction
Carter Choi, Senior Civil Engineer, Project Development and Design
Monika Raman, Associate Civil Engineer, Project Development and Design



James C. Porter
Director

County Government Center
555 County Center, 5th Floor
Redwood City, CA 94063
650-363-4100 T
650-361-8220 F

www.smcgov.org

November 24, 2020

COUNTY OF SAN MATEO

**MIDDLEFIELD ROAD IMPROVEMENT PROJECT
IN THE NORTH FAIR OAKS AREA**

**TOTAL PROJECT APPROXIMATELY 0.5 MILE IN LENGTH
WITH APPURTENANT WORK THERETO
IN SAN MATEO COUNTY**

**COUNTY PROJECT NO. OD420
PROJECT FILE NO. E4931**

RECEIPT OF ADDENDUM NO. 1

I, _____, an
authorized representative for

_____, have received
Addendum No. 1 for the Middlefield Road Improvement Project from an authorized
representative of the County of San Mateo, to be included in the Specifications for the
above referenced project.

This form must be signed and received in the offices of the County of San Mateo,
Department of Public Works ***no later than 4:00 PM, Friday, December 4, 2020.***

“Contractor”

(Print)

(Signature)

(Date)

TABLE OF CONTENTS (Continued)

113-6	Casing Seals.....	389
113-7	Pipe Materials.....	391
113-8	Excavation of Jacking and Receiving Pits.....	393
113-9	Jacking and Boring.....	393
113-10	Hydrostatic Test.....	395
113-11	Frac-Out Contingency Plan.....	395
113-12	Backfill and Compaction of Jacking and Receiving Pits, Restoration of Surfaces..	396
113-13	Measurement and Payment.....	397
SECTION 114	LANDSCAPE.....	398
114-1	Irrigation System.....	398
114-2	Planting.....	427
114-3	Landscape Elements (Including Site Furnishings, Special Bulb-Out Seating and Special Bulb Out Paving).....	457
114-4	Tree Protection.....	462
114-5	Seatwall Mosaic Tiles.....	478
SECTION 115	BIORETENTION BASINS.....	482
115-1	General.....	482
115-2	Bioretention Concrete Walls Reinforcing.....	482
115-3	Bioretention Collection and Discharge Piping and Structures.....	486
115-4	Bioretention Basin Fill Material.....	487
SECTION 116	AGENCY RELATIONS.....	502
116-1	San Francisco Public Utility Commission.....	502
116-2	San Mateo County Transit District.....	502
116-3	Union Pacific Railroad.....	503
116-4	Pacific Gas and Electric Company.....	503
116-5	<u>Open5g</u>.....	<u>504 (rev)</u>

Note: Gaps in Section numbering, above, indicate that the Section is either blank or does not apply.

ENGINEER'S ESTIMATE (SCHEDULE A) – Continued from Previous Page

Item No.	Section No.	Estimated Quantity	Unit of Measure	Item Description
47	51-4	6	EA	Sidewalk Access Ramps (Case C without Retaining Curb)
48	51-4	2	EA	Sidewalk Access Ramps (Case F)
49	51-6 (S)	400	LF	Red Curb Painting at No Parking Zones
50	56-1	40	EA	Install New Roadside Signs
51	56-2	75	EA	Remove and Reset Existing Roadside Signs
52	68-3	160	LF	PVC Underdrains
53	68-5	600	LF	Sidewalk Underdrains (Ductile Iron)
54	75 (F)	2,850	LBS	Miscellaneous Iron and Steel
55	81 (S)	14	EA	Survey Monument
56	84-3 (S)	14,000	SF	Thermoplastic Pavement Marking (Crosswalks and Legends)
57	84-3 (S)	22,000	LF	Thermoplastic Striping (by color)
58	85 (S)	81	EA	Pavement Markers, Type D (Two-way, Yellow, Retroreflective)
59	85 (S)	54	EA	Pavement Markers, Type G (Two-way, Yellow, Retroreflective)
60	85 (S)	8	EA	Pavement Markers, Hydrant Marker (Blue Reflective)
61	86-2 (S)	15	EA	Install New Traffic Signal
62	86-2A (S)	1	EA	Modify Existing Traffic Signal (at 5th Ave)
63	86-3 (S)	45	EA	Traffic Loop Detectors (Type E)
64	86-3 (S)	14	EA	Traffic Loop Detectors (Type D)
65	86-26 (S)	1	LS	Solar Powered Beacon and Sign Systems
66	86-27 (S)	41	EA	Streetlights – Street
67	86-27 (S)	28	EA	Streetlights – Pedestrian
68	86-27 (S)	65	EA	Streetlight Pull Box
69	100 (S)	1	LS	Construction Staking
70	101	1	LS	Temporary Fence
71	103-1.3 (S)	1	LS	Holiday Lights
72	103-1.3	1	LS	Wifi Systems
73	103-3.1	1	LS	Closed Circuit Television (CCTV) Inspection of Sanitary Sewer Lines
74	103-3.3	28	EA	Remove and Replace Existing Sanitary Sewer Manhole
75	103-3.3	2	EA	Remove and Relocate Sanitary Sewer Manhole
76	103- 3.7	60	LF	Sanitary Sewer Lateral Repair

ENGINEER'S ESTIMATE (SCHEDULE A) – Continued on Next Page

ENGINEER'S ESTIMATE (SCHEDULE A) – Continued from Previous Page

Item No.	Section No.	Estimated Quantity	Unit of Measure	Item Description
77	105-3	1	LS	Trench Safety
78	106-2	6,155	LF	Pipe Replacement (Open Trench) - 8" PVC Pipeline
79	106-2	425	LF	Pipe Replacement (Open Trench) - 24" PVC Pipeline
80	106-3	181	EA	Reconnect Sanitary Sewer Lateral (Open-Trench Method)
81	108	132	EA	Utility Line Crossings
82	108-1	1	LS	San Francisco (Hetch Hetchy) Water Transmission Line Crossings
83	113 (S)	450	LF	Jack and Bore Crossing #1 (Middlefield Road): One 36", one 30" and one 24" Steel Casings (150 LF Each)
84	113 (S)	180	LF	Jack and Bore Crossing #2 (Redwood Junction): One 10" and one 18" Steel Casing (90 LF Each)
85	113 (S)	150	LF	Jack and Bore Crossing #3 (Sanitary Sewer): One 16" Steel Casing
86	114-1 (S)	1	LS	Irrigation System
87	114-2.3.7 (S)	61	EA	48" Boxed Trees
88	114-2.3.7 (S)	5	EA	36" Boxed Trees
89	114-2.3.7 (S)	820	EA	Canned Shrubs/Vines (1-Gallon)
90	114-2.3.7 (S)	144	EA	Canned Shrubs/Vines (5-Gallon)
91	114-3.2.1	18	EA	Benches
92	114-3.2.1	2	EA	Special Bulb-Out Seatwall
93	114-3.2.2	13	EA	Bike Rack
94	114-3.2.3	12	EA	Trash and Recycle Receptacle
95	114-3.2.4	66	EA	Tree Grate (48"x72")
96	114-3.2.5	300	SF	Special Bulb-Out Paving
97	114-4	1	LS	Tree Protection
98	115-2	908	SF	Bioretention Concrete Walls Reinforcing
99	115-3	1,590	LF	Bioretention Collection and Discharge Piping and Structures
100	115-4	300	CY	Bioretention Basin Fill Material

ENGINEER'S ESTIMATE (SCHEDULE B) – Continued from Previous Page

Item No.	Section No.	Estimated Quantity	Unit of Measure	Item Description
169	103-1	32	LF	Utility Trench Section V2 - 18x58
170	103-1	55	LF	Utility Trench Section V3 - 12x51
171	103-1	1,380	LF	Utility Trench Section W - 6x35
172	103-1	920	LF	Utility Trench Section W1 - 12x35
173	103-1	38	LF	Utility Trench Section W2 - 18x35
174	103-1	37	LF	Utility Trench Section W3 - 18x49
175	103-1	25	LF	Utility Trench Section W4 - 18x41
176	103-1	144	LF	Utility Trench Section W5 - 12x51
177	103-1	24	LF	Utility Trench Section W6 - 12x34
178	103-1	6	LF	Utility Trench Section W7 - 12x33
179	103-1	5	LF	Utility Trench Section W8 - 12x36
180	103-1	28	LF	Utility Trench Section W9 - 24x34
181	103-1	10	LF	Utility Trench Section W10 - 18x35
182	103-1	333	LF	Utility Trench Section W11 - 18x39
183	103-1	14	LF	Utility Trench Section W12 - 12x35
184	103-1	20	LF	Utility Trench Section W13 - 12x35
185	103-1 (S)	160	LF	Jack and Bore Utility Crossing - Trench Section H16 - 36" DIA Casing
186	103-1 (S)	160	LF	Jack and Bore Utility Crossing - Trench Section V3 - 24" Casing
187	103-1 (S)	160	LF	Jack and Bore Utility Crossing - Trench Section W - 24" DIA Casing
188	103-1 (S)	90	LF	Jack and Bore Utility Crossing - Trench Section U7 - 18" DIA Casing
189	103-1 (S)	90	LF	Jack and Bore Utility Crossing - Trench Section V - 12" DIA Casing
190	103-1 (S)	90	LF	Jack and Bore Utility Crossing - Trench Section H6 - 10" DIA Casing
191	103-1 (S)	2	LS	Jack and Bore Preparation - Pits - Jacking Pit
192	103-1 (S)	2	LS	Jack and Bore Preparation - Pits - Receiving Pit
193	103-1 (S)	2,667	CY	Jack and Bore Preparation - Backfill and Compaction of Pits - Middlefield Road
194	103-1 (S)	160	LF	Jack and Bore Preparation - Dewatering - Middlefield Road
195	103-1	160	LF	Jack and Bore Preparation - Pavement Restoration - Middlefield Road

ENGINEER'S ESTIMATE (SCHEDULE B) – Continued on Next Page

ENGINEER'S ESTIMATE (SCHEDULE B) – Continued from Previous Page

Item No.	Section No.	Estimated Quantity	Unit of Measure	Item Description
196	103-1 (S)	160	LF	Jack and Bore Preparation - Shoring - Middlefield Road
197	103-1 (S)	1,500	CY	Jack and Bore Preparation - Backfill and Compaction of Pits - UP R/W
198	103-1 (S)	90	LF	Jack and Bore Preparation - Dewatering - UP R/w
199	103-1 (S)	90	LF	Jack and Bore Preparation - Shoring - UP RW
200	105-3	1	LS	Trench Safety

Engineer's Estimate of SCHEDULE A Costs: \$ 22,426,874

Engineer's Estimate of SCHEDULE B Costs: \$ 5,505,886

TOTAL BASE BID (SCHEDULE A+B): \$ 28,932,760

NOTES:

- (1) (F) Final Pay Quantities – See Section 9-1.015, “Final Pay Items,” of the Standard Specifications.
- (2) (S) Specialty Items – As defined in Section 8-1.01, “Subcontracting,” of the Standard Specifications.
- (3) Gaps in Schedule A and Schedule B section numbering, above, indicate the Section is blank or does not apply.

The foregoing quantities are approximate only, being given as a basis for the comparison of bids, and the County of San Mateo does not, expressly or by implication, agree that the actual amount of work will correspond herewith, but reserves the right to increase or decrease the amount of any class or portion of the work, or to omit any portion of the work, as may be deemed necessary or expedient by the Engineer.

Payment to the Contractor for materials furnished and work completed shall be made by the County in accordance with Section 9 of the “Special Provisions” portion of these Contract Documents. Pursuant to Section 22300 of the Public Contract Code, Contractor may, upon his request and at Contractor’s expense, substitute equivalent securities for any moneys retained from such payment for the fulfillment of the Contract.

When applicable, both Contractor and Subcontractor hereby agrees to pay not less than prevailing rates of wages and be responsible for compliance with all the provisions of the California Labor Code, Article 2-Wages, Chapter 1, Part 7, Division 2, Section 1770 et

SECTION 116 AGENCY RELATIONS

The Contractor's work takes place in an area in which other agencies have facilities. The Contractor shall jointly coordinate with the County and those other agencies where agency utilities or infrastructure may be impacted. Listed below, but not limited to, are the agencies that the Contractor is expected to coordinate with prior to commencing any work. Section 7-5, "Permits and Licenses," and Appendix G, "Inter-Agency Permits and Requirements," of these Special Provisions, includes related requirements.

Full compensation for coordination efforts between all utility companies such as but not limited to, PG&E, AT&T, Comcast, Verizon, Wave Broadband, **Open5g**, Union Pacific Rail Road, SamTrans, San Francisco Public Utility Commission, and including documents, work plans, and permits that need to be submitted or requirements made by these agencies shall be considered as included in the unit prices paid for the various Contract items of work, and no separate payment or additional compensation will be allowed therefore.

116-1 SAN FRANCISCO PUBLIC UTILITY COMMISSION

The term SFPUC refers to the San Francisco Public Utility Commission.

It shall be noted that SFPUC may have maintenance work in the vicinity. The Contractor shall notify SFPUC ten (10) calendar days prior to the start of on-site construction in the vicinity of the SFPUC right of way and 48 hours before any construction in the vicinity of the SFPUC aqueducts. In the event of emergency involving SFPUC facilities, the Contractor shall immediately notify SFPUC Millbrae Dispatch at 650-872-5900.

Contact at SFPUC: Albert Hao, SFPUC Construction Inspector, (650) 871-3015.

116-2 SAN MATEO COUNTY TRANSIT DISTRICT

The term SamTrans refers to San Mateo County Transit District. **Contact SamTrans at:** Richmond Apande of SamTrans at (650) 508-6240.

116-5 OPEN 5G

Contact at Open5g: Shawn Ronich, (925) 357-7770.

Contractor shall coordinate to allow Open5g's Contractor/Subcontractor to perform work within the roadway, sidewalk and adjacent to the joint utility poles, joint trench, and along the project limits. Open5g's Contractor/Subcontractor shall be responsible for all labor, material and equipment needed for installation of their fiber.

The Contractor may incur task-specific liquidated damages in the amount of \$1,000.00 per calendar day for every day the Contractor fails to meet the dates specified in the baseline progress schedule to allow PG&E, Union Pacific Rail Road, SamTrans, Comcast, AT&T, Verizon, Wave Broadband, Open5g and other utility company to access the Project site, or if the Contractor fails to coordinate with these agencies, as specified in these Special Provisions, and as directed by the Engineer. Reference is made to Section 8-2, "Liquidated Damages," of these Special Provisions.

END OF SECTION

PROPOSAL SECTION

Contractor's Check-Off List:

1. Complete **Bidder's Information** Sheet, Page 1
2. Complete **Bid Proposal** Sheet, Page 4
3. Complete **Acknowledgement of Site Visit Form**, Page 25 (rev)
4. Check off for **Bidder's Security**, Page 26 (rev)
(cash, cashier's check, certified check, or bidder's bond)
5. Complete **Principal(s) and Title(s)** Sheet, Page 28 (rev)
6. Complete **State Contractor's License No. and Department of Industrial Relations Registration No.** Sheet, Page 29 (rev)
7. Complete **Subcontractor List** Sheets, Pages 30 (rev) and 31 (rev)
8. Complete **Certification of Intent** Sheet, Page 35 (rev)
9. **Equal Employment Opportunity** Sheets:
 - i. Complete **Questionnaire for Bidder** Sheet, Pages 36 (rev) to 38 (rev)
 - ii. Complete **Contractor Report Form**, Page 39 (rev)
10. Complete **Equal Benefits Compliance Declaration Form**, Page 45 (rev)
11. Complete **Employee Jury Service Compliance Declaration Form**, Page 49 (rev)
12. Complete **Non-Collusion Declaration Form**, Page 50 (rev)
13. Complete **Certification of Bidder's Qualifications and Experience Form**, Pages 51 (rev) to 55 (rev)

PROPOSAL (SCHEDULE A) – Continued from Previous Page

Item No.	Section No.	Estimated Quantity	Unit of Measure	Item Description	Item Price (In Figures)	Total (In Figures)
23	15-19	1	EA	Adjust Existing Monitoring Well to Grade	\$	\$
24	15-20	4	EA	Remove Existing Pedestrian Signals	\$	\$
25	15-21	1	LS	Remove Concrete Curbs, Gutters, Sidewalks, Driveway Openings, Sidewalk Access Ramps, Valley Gutters and Medians	\$	\$
26	15-22	18,525	SY	Remove Asphalt Concrete Paving, Pavement Fabric, Aggregate Base	\$	\$
27	16	1	LS	Clearing and Grubbing	\$	\$
28	16-1	1	EA	Remove Trees	\$	\$
29	17	1	LS	Develop and Apply Water	\$	\$
30	19-1	8,420	CY	Roadway Excavation	\$	\$
31	20	1	LS	Erosion and Sediment Control	\$	\$
32	25	60	CY	Aggregate Subbase (Class 4)	\$	\$
33	26	3,609	CY	Aggregate Base (Class 2) – Open Trench SS	\$	\$
34	36	34	EA	Drainage Inlet Marker	\$	\$
35	37-2	1	EA	<u>Remove and</u> Relocate Existing Drainage Inlet	\$	\$
36	37-2	2	EA	Install New Drainage Inlet	\$	\$
37	37-3	13	EA	Clean and Inspect Existing Drainage Inlet	\$	\$

PROPOSAL (SCHEDULE A) – Continued on Next Page

PROPOSAL (SCHEDULE A) – Continued from Previous Page

Item No.	Section No.	Estimated Quantity	Unit of Measure	Item Description	Item Price (In Figures)	Total (In Figures)
38	39-1	6,945	TON	Asphalt Concrete (Type B, 1/2" Maximum, Medium grading)	\$	\$
39	39-3	114	SY	Place Asphalt Concrete (Miscellaneous Areas)	\$	\$
40	39-4	8,449	SY	Plane Asphalt Concrete Pavement (Full Width)	\$	\$
41	40	3,000	SF	Portland Cement Concrete Pavement (Bus Pads)	\$	\$
42	51-2	81	CY	Class 2 Concrete (Minor Structures)	\$	\$
43	51-3	860	CY	Class 3 Concrete	\$	\$
44	51-4	30	EA	Sidewalk Access Ramps (Case A)	\$	\$
45	51-4	1	EA	Sidewalk Access Ramps (Case B with Retaining Curb)	\$	\$
46	51-4	2	EA	Sidewalk Access Ramps (Case C with Retaining Curb)	\$	\$
47	51-4	6	EA	Sidewalk Access Ramps (Case C without Retaining Curb)	\$	\$
48	51-4	2	EA	Sidewalk Access Ramps (Case F)	\$	\$
49	51-6 (S)	400	LF	Red Curb Painting at No Parking Zones	\$	\$
50	56-1	40	EA	Install New Roadside Signs	\$	\$
51	56-2	75	EA	Remove and Reset Existing Roadside Signs	\$	\$
52	68-3	160	LF	PVC Underdrains	\$	\$

PROPOSAL (SCHEDULE A) – Continued on Next Page

PROPOSAL (SCHEDULE A) – Continued from Previous Page

Item No.	Section No.	Estimated Quantity	Unit of Measure	Item Description	Item Price (In Figures)	Total (In Figures)
53	68-5	600	LF	Sidewalk Underdrains (Ductile Iron)	\$	\$
54	75 (F)	2,850	LBS	Miscellaneous Iron and Steel	\$	\$
55	81 (S)	14	EA	Survey Monument	\$	\$
56	84-3 (S)	14,000	SF	Thermoplastic Pavement Marking (Crosswalks and Legends)	\$	\$
57	84-3 (S)	22,000	LF	Thermoplastic Striping (by color)	\$	\$
58	85 (S)	81	EA	Pavement Markers, Type D (Two-way, Yellow, Retroreflective)	\$	\$
59	85 (S)	54	EA	Pavement Markers, Type G (Two-way, Yellow, Retroreflective)	\$	\$
60	85 (S)	8	EA	Pavement Markers, Hydrant Marker (Blue Reflective)	\$	\$
61	86-2 (S)	15	EA	Install New Traffic Signal	\$	\$
62	86-2A (S)	1	EA	Modify Existing Traffic Signal (at 5th Ave)	\$	\$
63	86-3 (S)	45	EA	Traffic Loop Detectors (Type E)	\$	\$
64	86-3 (S)	14	EA	Traffic Loop Detectors (Type D)	\$	\$
65	86-26 (S)	1	LS	Solar Powered Beacon and Sign Systems	\$	\$
66	86-27 (S)	41	EA	Streetlights – Street	\$	\$
67	86-27 (S)	28	EA	Streetlights – Pedestrian	\$	\$
68	86-27 (S)	65	EA	Streetlight Pull Box	\$	\$

PROPOSAL (SCHEDULE A) – Continued on Next Page

PROPOSAL (SCHEDULE A) – Continued from Previous Page

Item No.	Section No.	Estimated Quantity	Unit of Measure	Item Description	Item Price (In Figures)	Total (In Figures)
69	100 (S)	1	LS	Construction Staking	\$	\$
70	101	1	LS	Temporary Fence	\$	\$
71	103-1.3 (S)	1	LS	Holiday Lights	\$	\$
72	103-1.3	1	LS	Wifi Systems	\$	\$
73	103-3.1	1	LS	Closed Circuit Television (CCTV) Inspection of Sanitary Sewer Lines	\$	\$
74	103-3.3	28	EA	Remove and Replace Existing Sanitary Sewer Manhole	\$	\$
75	103-3.3	2	EA	Remove and Relocate Sanitary Sewer Manhole	\$	\$
76	103-3.7	60	LF	<u>Sanitary Sewer Lateral Repair</u>	\$	\$
77	105-3	1	LS	Trench Safety	\$	\$
78	106-2	6,155	LF	Pipe Replacement (Open Trench) - 8" PVC Pipeline	\$	\$
79	106-2	425	LF	Pipe Replacement (Open Trench) - 24" PVC Pipeline	\$	\$
80	106-3	181	EA	Reconnect Sanitary Sewer Lateral (Open-Trench Method)	\$	\$
81	108	132	EA	Utility Line Crossings	\$	\$
82	108-1	1	LS	San Francisco (Hetch Hetchy) Water Transmission Line Crossings	\$	\$
83	113 (S)	450	LF	Jack and Bore Crossing #1 (Middlefield Road): One 36", <u>one 30" and one 24"</u> Steel Casings (150 LF Each)	\$	\$

PROPOSAL (SCHEDULE A) – Continued on Next Page

PROPOSAL (SCHEDULE A) – Continued from Previous Page

Item No.	Section No.	Estimated Quantity	Unit of Measure	Item Description	Item Price (In Figures)	Total (In Figures)
84	113 (S)	180	LF	Jack and Bore Crossing #2 (Redwood Junction): <u>One 10" and one 18" Steel Casing (90 LF Each)</u>	\$	\$
85	113 (S)	150	LF	Jack and Bore Crossing #3 (Sanitary Sewer): One 16" Steel Casing	\$	\$
86	114-1(S)	1	LS	Irrigation System	\$	\$
87	114-2.3.7 (S)	61	EA	48" Boxed Trees	\$	\$
88	114-2.3.7 (S)	5	EA	36" Boxed Trees	\$	\$
89	114-2.3.7 (S)	820	EA	Canned Shrubs/Vines (1-Gallon)	\$	\$
90	114-2.3.7 (S)	144	EA	Canned Shrubs/Vines (5-Gallon)	\$	\$
91	114-3.2.1	18	EA	Benches	\$	\$
92	114-3.2.1	2	EA	Special Bulb-Out Seatwall	\$	\$
93	114-3.2.2	13	EA	Bike Rack	\$	\$
94	114-3.2.3	12	EA	Trash and Recycle Receptacle	\$	\$
95	114-3.2.4	66	EA	Tree Grate (48"x72")	\$	\$
96	114-3.2.5	300	SF	Special Bulb-Out Paving	\$	\$
97	114-4	1	LS	Tree Protection	\$	\$
98	115-2	908	SF	Bioretention Concrete Walls Reinforcing	\$	\$
99	115-3	1,590	LF	Bioretention Collection and Discharge Piping and Structures	\$	\$
100	115-4	300	CY	Bioretention Basin Fill Material	\$	\$
SCHEDULE A SUB-TOTAL						\$

NOTES:

- (1) (F) Final Pay Quantities – See Section 9-1.015, “Final Pay Items,” of the Standard Specifications.
- (2) (S) Specialty Items – As defined in Section 8-1.01, “Subcontracting,” of the Standard Specifications.
- (3) Gaps in section numbering, above, indicate the Section is blank or does not apply.

PROPOSAL (SCHEDULE B) – Continued from Previous Page

Item No.	Section No.	Estimated Quantity	Unit of Measure	Item Description	Item Price (In Figures)	Total (In Figures)
84	103-1	62	LF	Utility Trench Section F - 24x59	\$	\$
85	103-1	32	LF	Utility Trench Section D67 - 42x63	\$	\$
86	103-1	26	LF	Utility Trench Section D68 - 30x60	\$	\$
87	103-1	64	LF	Utility Trench Section D69 - 18x53	\$	\$
88	103-1	57	LF	Utility Trench Section F1 - 42x54	\$	\$
89	103-1	11	LF	Utility Trench Section F2 - 42x54	\$	\$
90	103-1	25	LF	Utility Trench Section F5 - 30x59	\$	\$
91	103-1	51	LF	Utility Trench Section F6 - 18x52	\$	\$
92	103-1	58	LF	Utility Trench Section F7 - 12x52	\$	\$
93	103-1	181	LF	Utility Trench Section G - 36x59	\$	\$
94	103-1	28	LF	Utility Trench Section G1 - 24x50	\$	\$
95	103-1	45	LF	Utility Trench Section G2 - 24x56	\$	\$
96	103-1	59	LF	Utility Trench Section G3 - 30x58	\$	\$
97	103-1	30	LF	Utility Trench Section G4 - 12x50	\$	\$
98	103-1	56	LF	Utility Trench Section G7 - 30x60	\$	\$
99	103-1	130	LF	Utility Trench Section H - 12x43	\$	\$
100	103-1	106	LF	Utility Trench Section H1 - 18x43	\$	\$

PROPOSAL (SCHEDULE B) – Continued on Next Page

PROPOSAL (SCHEDULE B) – Continued from Previous Page

Item No.	Section No.	Estimated Quantity	Unit of Measure	Item Description	Item Price (In Figures)	Total (In Figures)
101	103-1	49	LF	Utility Trench Section H2 - 30x43	\$	\$
102	103-1	113	LF	Utility Trench Section H3 - 18x41	\$	\$
103	103-1	122	LF	Utility Trench Section H5 - 30x43	\$	\$
104	103-1	362	LF	Utility Trench Section H6 - 12x41	\$	\$
105	103-1	50	LF	Utility Trench Section H6 - 12x42	\$	\$
106	103-1	41	LF	Utility Trench Section H6 - 12x43	\$	\$
107	103-1	67	LF	Utility Trench Section H6 - 12x44	\$	\$
108	103-1	111	LF	Utility Trench Section H6 - 12x45	\$	\$
109	103-1	605	LF	Utility Trench Section H6 - 12x46	\$	\$
110	103-1	94	LF	Utility Trench Section H6 - 12x47	\$	\$
111	103-1	17	LF	Utility Trench Section H6 - 12x48	\$	\$
112	103-1	31	LF	Utility Trench Section H6 - 12x49	\$	\$
113	103-1	129	LF	Utility Trench Section H6 - 12x50	\$	\$
114	103-1	47	LF	Utility Trench Section H6 - 12x51	\$	\$
115	103-1	16	LF	Utility Trench Section H6 - 12x52	\$	\$
116	103-1	39	LF	Utility Trench Section H6 - 12x53	\$	\$
117	103-1	132	LF	Utility Trench Section H6 - 12x54	\$	\$

PROPOSAL (SCHEDULE B) – Continued on Next Page

PROPOSAL (SCHEDULE B) – Continued from Previous Page

Item No.	Section No.	Estimated Quantity	Unit of Measure	Item Description	Item Price (In Figures)	Total (In Figures)
118	103-1	201	LF	Utility Trench Section H6 - 12x55	\$	\$
119	103-1	136	LF	Utility Trench Section H6 - 12x56	\$	\$
120	103-1	69	LF	Utility Trench Section H6 - 12x57	\$	\$
121	103-1	184	LF	Utility Trench Section H6 - 12x58	\$	\$
122	103-1	326	LF	Utility Trench Section H6 - 12x59	\$	\$
123	103-1	137	LF	Utility Trench Section H6 - 12x60	\$	\$
124	103-1	38	LF	Utility Trench Section H6 - 12x61	\$	\$
125	103-1	176	LF	Utility Trench Section L9 - 12x33	\$	\$
126	103-1	54	LF	Utility Trench Section L10 - 18x35	\$	\$
127	103-1	46	LF	Utility Trench Section L11 - 24x39	\$	\$
128	103-1	173	LF	Utility Trench Section L12 - 18x51	\$	\$
129	103-1	73	LF	Utility Trench Section L13 - 12x38	\$	\$
130	103-1	18	LF	Utility Trench Section L14 - 18x39	\$	\$
131	103-1	164	LF	Utility Trench Section L15 - 12x37	\$	\$
132	103-1	801	LF	Utility Trench Section P - 12x54	\$	\$
133	103-1	13	LF	Utility Trench Section P1 - 18x54	\$	\$
134	103-1	61	LF	Utility Trench Section P2 - 12x56	\$	\$

PROPOSAL (SCHEDULE B) – Continued on Next Page

PROPOSAL (SCHEDULE B) – Continued from Previous Page

Item No.	Section No.	Estimated Quantity	Unit of Measure	Item Description	Item Price (In Figures)	Total (In Figures)
135	103-1	82	LF	Utility Trench Section P3 - 24x52	\$	\$
136	103-1	83	LF	Utility Trench Section P4 - 24x58	\$	\$
137	103-1	139	LF	Utility Trench Section P5 - 12x50	\$	\$
138	103-1	40	LF	Utility Trench Section P6 - 12x55	\$	\$
139	103-1	39	LF	Utility Trench Section P7 - 18x51	\$	\$
140	103-1	17	LF	Utility Trench Section P8 - 18x53	\$	\$
141	103-1	22	LF	Utility Trench Section P9 - 18x56	\$	\$
142	103-1	25	LF	Utility Trench Section P10 - 18x49	\$	\$
143	103-1	81	LF	Utility Trench Section P11 - 18x58	\$	\$
144	103-1	102	LF	Utility Trench Section P12 - 12x51	\$	\$
145	103-1	82	LF	Utility Trench Section P14 - 18x52	\$	\$
146	103-1	338	LF	Utility Trench Section P15 - 12x52	\$	\$
147	103-1	40	LF	Utility Trench Section P17 - 18x53	\$	\$
148	103-1	351	LF	Utility Trench Section P18 - 12x54	\$	\$
149	103-1	50	LF	Utility Trench Section P19 - 18x52	\$	\$
150	103-1	83	LF	Utility Trench Section P20 - 18x57	\$	\$
151	103-1	7	LF	Utility Trench Section P21 - 12x52	\$	\$

PROPOSAL (SCHEDULE B) – Continued on Next Page

PROPOSAL (SCHEDULE B) – Continued from Previous Page

Item No.	Section No.	Estimated Quantity	Unit of Measure	Item Description	Item Price (In Figures)	Total (In Figures)
152	103-1	55	LF	Utility Trench Section P22 - 18x53	\$	\$
153	103-1	72	LF	Utility Trench Section P23 - 12x52	\$	\$
154	103-1	12	LF	Utility Trench Section P24 - 12x30	\$	\$
155	103-1	12	LF	Utility Trench Section R - 24x49	\$	\$
156	103-1	34	LF	Utility Trench Section R1 - 18x50	\$	\$
157	103-1	26	LF	Utility Trench Section S - 12x49	\$	\$
158	103-1	45	LF	Utility Trench Section S1 - 12x49	\$	\$
159	103-1	208	LF	Utility Trench Section U - 18x41	\$	\$
160	103-1	130	LF	Utility Trench Section U1 - 12x50	\$	\$
161	103-1	48	LF	Utility Trench Section U2 - 24x52	\$	\$
162	103-1	178	LF	Utility Trench Section U3 - 24x58	\$	\$
163	103-1	32	LF	Utility Trench Section U4 - 12x50	\$	\$
164	103-1	36	LF	Utility Trench Section U5 - 18x50	\$	\$
165	103-1	59	LF	Utility Trench Section U6 - 18x51	\$	\$
166	103-1	94	LF	Utility Trench Section U7 - 18x53	\$	\$
167	103-1	261	LF	Utility Trench Section V - 18x56	\$	\$
168	103-1	72	LF	Utility Trench Section V1 - 18x36	\$	\$

PROPOSAL (SCHEDULE B) – Continued on Next Page

PROPOSAL (SCHEDULE B) – Continued from Previous Page

Item No.	Section No.	Estimated Quantity	Unit of Measure	Item Description	Item Price (In Figures)	Total (In Figures)
169	103-1	32	LF	Utility Trench Section V2 - 18x58	\$	\$
170	103-1	55	LF	Utility Trench Section V3 - 12x51	\$	\$
171	103-1	1,380	LF	Utility Trench Section W - 6x35	\$	\$
172	103-1	920	LF	Utility Trench Section W1 - 12x35	\$	\$
173	103-1	38	LF	Utility Trench Section W2 - 18x35	\$	\$
174	103-1	37	LF	Utility Trench Section W3 - 18x49	\$	\$
175	103-1	25	LF	Utility Trench Section W4 - 18x41	\$	\$
176	103-1	144	LF	Utility Trench Section W5 - 12x51	\$	\$
177	103-1	24	LF	Utility Trench Section W6 - 12x34	\$	\$
178	103-1	6	LF	Utility Trench Section W7 - 12x33	\$	\$
179	103-1	5	LF	Utility Trench Section W8 - 12x36	\$	\$
180	103-1	28	LF	Utility Trench Section W9 - 24x34	\$	\$
181	103-1	10	LF	Utility Trench Section W10 - 18x35	\$	\$
182	103-1	333	LF	Utility Trench Section W11 - 18x39	\$	\$
183	103-1	14	LF	Utility Trench Section W12 - 12x35	\$	\$
184	103-1	20	LF	Utility Trench Section W13 - 12x35	\$	\$

PROPOSAL (SCHEDULE B) – Continued on Next Page

PROPOSAL (SCHEDULE B) – Continued from Previous Page

Item No.	Section No.	Estimated Quantity	Unit of Measure	Item Description	Item Price (In Figures)	Total (In Figures)
185	103-1 <u>(S)</u>	160	LF	Jack and Bore Utility Crossing - Trench Section H16 - 36" DIA Casing	\$	\$
186	103-1 <u>(S)</u>	160	LF	Jack and Bore Utility Crossing - Trench Section V3 - 24" Casing	\$	\$
187	103-1 <u>(S)</u>	160	LF	Jack and Bore Utility Crossing - Trench Section W - 24" DIA Casing	\$	\$
188	103-1 <u>(S)</u>	90	LF	Jack and Bore Utility Crossing - Trench Section U7 - 18" DIA Casing	\$	\$
189	103-1 <u>(S)</u>	90	LF	Jack and Bore Utility Crossing - Trench Section V - 12" DIA Casing	\$	\$
190	103-1 <u>(S)</u>	90	LF	Jack and Bore Utility Crossing - Trench Section H6 - 10" DIA Casing	\$	\$
191	103-1 <u>(S)</u>	2	LS	Jack and Bore Preparation - Pits - Jacking Pit	\$	\$
192	103-1 <u>(S)</u>	2	LS	Jack and Bore Preparation - Pits - Receiving Pit	\$	\$
193	103-1 <u>(S)</u>	2,667	CY	Jack and Bore Preparation - Backfill and Compaction of Pits - Middlefield Road	\$	\$
194	103-1 <u>(S)</u>	160	LF	Jack and Bore Preparation - Dewatering - Middlefield Road	\$	\$

PROPOSAL (SCHEDULE B) – Continued on Next Page

PROPOSAL (SCHEDULE B) – Continued from Previous Page

Item No.	Section No.	Estimated Quantity	Unit of Measure	Item Description	Item Price (In Figures)	Total (In Figures)
195	103-1	160	LF	Jack and Bore Preparation - Pavement Restoration - Middlefield Road	\$	\$
196	103-1 <u>(S)</u>	160	LF	Jack and Bore Preparation - Shoring - Middlefield Road	\$	\$
197	103-1 <u>(S)</u>	1,500	CY	Jack and Bore Preparation - Backfill and Compaction of Pits - UP R/W	\$	\$
198	103-1 <u>(S)</u>	90	LF	Jack and Bore Preparation - Dewatering - UP R/w	\$	\$
199	103-1 <u>(S)</u>	90	LF	Jack and Bore Preparation - Shoring - UP RW	\$	\$
200	105-3	1	LS	Trench Safety	\$	\$
SCHEDULE B SUB-TOTAL						\$

PROPOSAL SUMMARY	
A BID IS REQUIRED FOR THE ENTIRE WORK DESCRIBED HEREIN FOR SCHEDULE A AND SCHEDULE B. THE AWARD OF CONTRACT, IF AWARDED, WILL BE MADE ON THE BASIS OF THE LOWEST SUM TOTAL OF BOTH SCHEDULE A AND SCHEDULE B.	
SCHEDULE A SUB-TOTAL	\$
SCHEDULE B SUB-TOTAL	\$
TOTAL BASE BID (SCHEDULE A + B)	\$

THIS PAGE IS INTENTIONALLY LEFT BLANK

ACKNOWLEDGEMENT OF SITE VISIT

I hereby acknowledge that a representative or representatives from our firm has/have visited the site as required for acceptance of bid for the project “**Middlefield Road Improvement Project.**” Proposal packages from contractors who do not return this form, fully executed, will not be accepted.

Name of Firm

Name(s) of Representative(s) Who Visited (Please Print)	Job Title	Date Visited
------------------------------------------------------------	-----------	--------------

Acknowledged by,

Name (Please Print)	Job Title
---------------------	-----------

Signature	Date Signed
-----------	-------------

Bids are required for the entire work. The amount of the bid for comparison purposes will be the total of all items. The total of unit basis items will be determined by extension of the item price bid on the basis of the estimated quantity set forth for the item.

The Bidder shall set forth for each item of work, in clearly legible figures, an item price and a total for the item in the respective spaces provided for this purpose. In the case of unit basis items, the amount set forth under the “Total” column shall be the extension of the item price bid on the basis of the estimated quantity for the item.

In case of discrepancy between the item price and the total set forth for the item, the item price shall prevail, provided however, if the amount set forth as an item price is ambiguous, unintelligible or uncertain for any cause, or is omitted, or in the case of unit basis items, is the

same amount as the entry in the "Total" column, then the amount set forth in the "Total" column for the item shall prevail in accordance with the following:

1. As to lump sum items, the amount set forth in the "Total" column shall be the item price.
2. As to unit basis items, the amount set forth in the "Total" column shall be divided by the estimated quantity for the item and the price thus obtained shall be the item price.

After acceptance of this Proposal and award of the Contract, if the undersigned should fail to contract as aforesaid or should fail to give the "Performance" Surety Bond in the sum of 100 percent of the Contract bid, the "Payment" Surety Bond in the sum of 100 percent of the Contract bid, the Certificate of Insurance covering public liability and property damage in the amounts specified in the Agreement portion of these Contract documents, and the Certificate of Insurance covering Workmen's Compensation Insurance, within **TEN (10) WORKING DAYS** after award of the Contract, the County may, at its option, determine that the bidder has abandoned the Contract, thereupon this Proposal and the acceptance thereof shall be null and void, and the forfeiture of such security accompanying this Proposal shall operate and the same shall become the property of the County of San Mateo, State of California.

Accompanying this Proposal is:

- Cash
- A Cashier's Check (made payable to the "County of San Mateo")
- A Certified Check (made payable to the "County of San Mateo")
- A Bidder's Bond executed by an admitted surety insurer (made payable to the "County of San Mateo")

in the amount equal to at least ten percent (10 percent) of the total bid.

Bidders must, upon request, furnish evidence of their financial responsibility and ability to perform the work herein described.

PROVISIONS OF LABOR CODE

The Contractor shall be required to comply with all the payroll and apprenticeship provisions of Chapter 1, Division 2, Section 1776 and 1777.5 of the California Labor Code.

BIDDER'S FINANCIAL RESPONSIBILITY TECHNICAL ABILITY and EXPERIENCE

THE LOW BIDDER MUST, UPON REQUEST, FURNISH EVIDENCE OF FINANCIAL RESPONSIBILITY AND ABILITY TO PERFORM THE WORK INCLUDED IN THIS PROPOSED CONTRACT. SUCH EVIDENCE MAY INCLUDE, BUT NOT BE LIMITED TO, A FINANCIAL STATEMENT AS OF THE DATE OF BID; A STATEMENT, WITH REFERENCES, OF COMPLETED WORK OF A SIMILAR CHARACTER TO THAT INCLUDED HEREIN; A STATEMENT OF THE LAST TWO PROJECTS PERFORMED REGARDLESS OF THEIR CHARACTER; AND SUCH OTHER INFORMATION WHICH WILL ENABLE THE DIRECTOR OF PUBLIC WORKS TO JUDGE THE BIDDER'S RESPONSIBILITY, EXPERIENCE, SKILL AND BUSINESS STANDING.

The names of all persons interested in the foregoing Proposal as principals are as follows:

(Name of Corporation, Co-partnership, Individual)	
(Name and Title)	(Name and Title)
(Name and Title)	(Name and Title)
(Authorized Signature of Bidder)	(Authorized Signature of Bidder)

***(NOTICE:** If the Bidder is a corporation, the legal name of the corporation and the names of the president, secretary, treasurer, and manager thereof shall be set forth together with the signature of the officer or officers authorized to sign Contracts in behalf of the corporation; if the Bidder is a co-partnership, the true name of the firm and the names of the principal partners shall be set forth together with the signature of the partner or partners authorized to sign Contracts in behalf of the co-partnership; and, if the Bidder is an individual, his full name shall be set forth and his signature shall be as the authorized officer. If the signature is by an agent, other than by an officer of a corporation or a member of a partnership, a Power of Attorney must be on file with the County prior to opening of bids or submitted with the bid; otherwise, the bid will be disregarded as irregular and unauthorized.)

Corporations must, upon request, furnish certification attesting to corporate existence and authority of officers to sign contracts and other documents.

The undersigned is licensed by the Contractor's State License Board of the State of California to perform the work hereinafter described, which State Contractor's License No. is:

State Contractor's License No.: _____
(Expires: _____)

Pursuant to State Senate Bill SB 854 (Stat. 2014, chapter 28), effective January 1, 2015, No contractor or subcontractor may be awarded a contract for public work on a public works project (awarded on or after April 1, 2015) unless registered with the Department of Industrial Relations pursuant to Labor Code Section 1725.5.

Department of Industrial Relations Registration No.: _____
(Expires: _____)

LICENSEE: _____
(Please print)

ADDRESS: _____

CITY AND STATE: _____

Date of Proposal

Signature

SUBCONTRACTORS

DESIGNATION OF SUBCONTRACTORS: Each Bidder shall set forth below the name, business address and telephone number of each subcontractor who will perform work or labor or render service to the Contractor in or about the construction of the work or improvement to be performed under these Contract Documents. The Bidder shall also list the proposal item number(s) to be done, in whole or in part, by each subcontractor and the total amount of each subcontractor's work in dollars and as a percentage of the total bid amount. The Bidder's attention is directed to Section 8-1.01, "Subcontracting," of the Standard Specifications.

SUBCONTRACTORS

1. Name: _____ Item No(s). _____
Address: _____ Dollar Amount: \$ _____
Tel: (____) _____ Percent of Total Bid: _____%
License No.: _____
Department of Industrial Relations Registration No.: _____

2. Name: _____ Item No(s). _____
Address: _____ Dollar Amount: \$ _____
Tel: (____) _____ Percent of Total Bid: _____%
License No.: _____
Department of Industrial Relations Registration No.: _____

3. Name: _____ Item No(s). _____
Address: _____ Dollar Amount: \$ _____
Tel: (____) _____ Percent of Total Bid: _____%
License No.: _____
Department of Industrial Relations Registration No.: _____

4. Name: _____ Item No(s). _____
Address: _____ Dollar Amount: \$ _____
Tel: (____) _____ Percent of Total Bid: _____%
License No.: _____
Department of Industrial Relations Registration No.: _____

SUBCONTRACTORS

(Continued)

6. Name: _____ Item No(s). _____
Address: _____ Dollar Amount: \$ _____
Tel: (____) _____ Percent of Total Bid: _____%
License No.: _____
Department of Industrial Relations Registration No.: _____
7. Name: _____ Item No(s). _____
Address: _____ Dollar Amount: \$ _____
Tel: (____) _____ Percent of Total Bid: _____%
License No.: _____
Department of Industrial Relations Registration No.: _____
8. Name: _____ Item No(s). _____
Address: _____ Dollar Amount: \$ _____
Tel: (____) _____ Percent of Total Bid: _____%
License No.: _____
Department of Industrial Relations Registration No.: _____
9. Name: _____ Item No(s). _____
Address: _____ Dollar Amount: \$ _____
Tel: (____) _____ Percent of Total Bid: _____%
License No.: _____
Department of Industrial Relations Registration No.: _____
10. Name: _____ Item No(s). _____
Address: _____ Dollar Amount: \$ _____
Tel: (____) _____ Percent of Total Bid: _____%
License No.: _____
Department of Industrial Relations Registration No.: _____

**SAN MATEO COUNTY
EQUAL EMPLOYMENT OPPORTUNITY PROGRAM**

CONTRACT COMPLIANCE PROGRAM

The purpose of the **Contract Compliance Program** is two-fold:

- 1. To prohibit and eliminate employment discrimination; and**
- 2. To further the opportunities for minority persons to be gainfully employed in County construction contracts.**

The program requires equal employment opportunity efforts by Contractors to employ minority workers on the County's construction projects. The Contractor will not discriminate against any employee or applicant for employment because of race, religion, color, national origin, age, disability, ancestry, sexual orientation, or sex. The Contractor will take equal employment opportunity actions to ensure that applicants are employed, and that employees are treated, during employment, without regard to their race, religion, color, national origin, age, disability, ancestry, sexual orientation, or sex; with the goal that the ethnic composition of the Contractor's work force will approximate the ethnic composition of the population of San Mateo County. Such action shall include, but not be limited to, employment, upgrading, demotion or transfer; recruitment; layoff or termination; rates of pay or other forms of compensation; and selection for training, including apprenticeship, pre-apprenticeship training and on-the-job training.

The **San Mateo County Equal Employment Opportunity Program** requires the Contractor to make two certifications. The first assures compliance with laws prohibiting discrimination. The second concerns the intent to develop and implement an equal employment opportunity program.

The Contractor is further required to:

1. Post "**EQUAL EMPLOYMENT OPPORTUNITY NOTICE(S)**," including the statement: "**AN EQUAL OPPORTUNITY EMPLOYER**," in all announcements of job openings;

2. Permit access by County and State compliance officials to his employment records; and
3. File monthly reports on prescribed forms:
 - A. **Monthly Manpower-Utilization Report**
 - B. **Weekly payroll Form WH-347** (which form can be found on the U.S. Department of Labor, Wage and Hour Division website, which website is addressed as <http://www.dir.ca.gov/dlsr/PWD/Northern.html>)
 - C. **Statement of Compliance** (which form is on the back of payroll form WH-347 or separate form WH-348, as requested by the County's contract compliance representative)
 - D. Assign an equal opportunity officer full time or as additional duty.

Union employees are to be recruited according to applicable labor agreements. If non-union employees are recruited for the project, the Contractor shall make use of minority-oriented news media and referral sources. The Contractor shall inform all subcontractors hired by him on the project(s) of their obligations under this program; and Contractor **will be responsible for the compliance with these regulations by his subcontractors.**

For failure to comply with the non-discrimination section, the Contractor is subject to a penalty of **two percent (2 percent) of the total amount payable for each working day during which he was found to be in non-compliance, or the cancellation of the contract in part or whole.**

The County's Contract Compliance Program is monitored by the San Mateo County Department of Public Works, 555 County Center, 5th Floor, Redwood City, California, 94063-1665, telephone (650) 363-4100.

Information and necessary forms are available at the **Department of Public Works**. In addition to evaluating Contractors' and subcontractors' equal opportunity efforts, the **Department of Public Works** will assist Contractors and subcontractors toward meeting these obligations.

**CERTIFICATION OF COMPLIANCE
WITH LAWS PROHIBITING DISCRIMINATION**

We are in compliance with the **EQUAL EMPLOYMENT OPPORTUNITY REQUIREMENT OF THE EXECUTIVE ORDER 11246, TITLE VII OF THE CIVIL RIGHTS ACT OF 1964, THE CALIFORNIA FAIR EMPLOYMENT AND HOUSING ACT**, any other Federal or State laws relating to equal employment opportunity and the provisions of **Title 2, Chapter 2.50 of the San Mateo County Ordinance Code** and the Board established guidelines implementing them.

We will not discriminate against any employee or applicant for employment based on **race, religion, color, national origin, age, disability, ancestry, sexual orientation, or sex**. This pertains to the areas of **recruitment, hiring, training, upgrading, transfer, compensation and termination**.

CERTIFICATION OF INTENT

We will maintain or develop and implement, during the course of the work concerned, an **Equal Employment Opportunity Program** of hiring and employment conducted without regard to **race, religion, color, national origin, age, disability, ancestry, sexual orientation, or sex** of the applicants. With this Certification we shall submit any and all information that may be required by the County in connection with this program.

We certify that we have read and understood the County of San Mateo's **GENERAL EQUAL EMPLOYMENT OPPORTUNITY STATEMENT SECTION III-A**, which is included in the proposal section of the Specifications.

As a private Contractor, working under contracts with the County of San Mateo, we understand that these policies are the requirements of said County employment and we will, in our recruitment, training and staffing, work to implement this section as applicable.

Signature and Title of Authorized Representative or Bidder

Date

**SAN MATEO COUNTY
EQUAL EMPLOYMENT OPPORTUNITY PROGRAM**

QUESTIONNAIRE FOR BIDDER

THIS REPORT MUST BE COMPLETED IN FULL BY AN OFFICIAL OF THE COMPANY AND SUBMITTED WITH THE BID.

PROJECT: _____

NAME OF FIRM: _____

ADDRESS: _____

CITY/ZIP: _____

TELEPHONE: (____) _____ DATE OF SUBMITTAL: _____

OFFICIAL FOR COMPANY: _____

1. _____ Yes _____ No Have you read and are you acquainted with the **Equal Employment Opportunity Requirement** of the Executive Order 11246, Title VII of the **Civil Rights Act of 1964**, the California Fair Employment Practices Act and **Title 2, Chapter 2.50** of the San Mateo County Ordinance Code?

2. _____ Yes _____ No Does your employment advertising state that you are an Equal Opportunity Employer?

3. _____ Yes _____ No Have all recruitment sources been advised that all qualified applicants will be considered for employment without regard to race, religion, color, national origin, age, disability, ancestry, sexual orientation, or sex?

4. _____ Yes _____ No Were any employees hired by means other than the union hiring hall in the past year?

How many? _____

What positions? _____

5. If non-union personnel are employed by the company, or if a position cannot be filled by the union hall, specify the advertisement and recruitment sources that are used. (For example, State HRD, newspapers, high schools, vocational schools, referral agencies/organizations, community groups.)

6. How many apprentices do you employ? _____
How many of these are minorities? _____

7. _____ Yes _____ No Do you have a program for upgrading and counseling present employees?

Describe: _____

8. _____ Yes _____ No Do you have a collective bargaining agreement with a labor union or other organization?

Please list these groups _____

9. What percentage of your work force is covered by union agreement? _____

10. _____ Yes _____ No Have you advised the labor union and/or worker organizations of your company's responsibility under the Equal Employment Opportunity Program?

11. _____ Yes _____ No Does your company's collective bargaining agreement include a provision for non-discrimination in employment?

12. Describe any previous experience with Equal Employment Opportunity Programs:

If your company has a written Equal Employment Opportunity Program now in effect, please attach a copy.

**COUNTY OF SAN MATEO
EQUAL EMPLOYMENT OPPORTUNITY PROGRAM**

**CONTRACTOR REPORT FORM
(To Be Submitted with Original Bid)**

PROJECT: _____ DATE: _____

NAME OF BIDDER: _____

NAME OF PERSON SUBMITTING REPORT: _____

RACIAL/ETHNIC MAKEUP OF THE COMPANY

Be sure to include the total of all employees in each classification in the first column. Report the number of employees enrolled in formal on-the-job (apprenticeship) training programs in parenthesis () for each classification.

Minority Employees										
Job Classification	Total (All Employees)	Ethnicity								
		American-Indian or Native Alaskan	Asian	Native Hawaiian or Pacific Islander	Black American or African American	Caucasian	Filipino	Hispanic or Latino (1)	Other (2)	Unidentified (3)
Total (s)										

Notes: (1) "Hispanic" includes all persons of Mexican, South and Central American, Puerto Rican, Cuban or Spanish ancestry.
 (2) "Other" includes all others whose origin consists of two or more races other than Hispanic or Latino.
 (3) Use this category for employees who have chosen not to identify any race or ethnicity, including "Other."

**SECTION III-A. GENERAL EQUAL EMPLOYMENT
OPPORTUNITY POLICY STATEMENT**

The Board of Supervisors of the County of San Mateo takes this opportunity to express its commitment to one of its highest priorities in the area of employment. This priority is assuring that all employees and applicants for employment are provided equal access to, and enjoyment of employment opportunities, and that they are not subjected to discrimination because of age (over 40), ancestry, creed, color, disability, marital status, medical condition, national origin, political or religious affiliation, race, sex, or sexual orientation.

The Board of Supervisors is committed to ensuring compliance with all applicable non-discrimination laws and regulations in order to attain a work environment that is free of discrimination so all County employees can provide quality public service.

The County will take positive measures toward eliminating artificial barriers to employment and achieving equal opportunity through its continued implementation and coordination of the County's Equal Employment Opportunity Program and through its review and evaluation of hiring and promotional policies and procedures.

It is the belief of the Board of Supervisors that equal employment opportunity is consistent with the basic merit system principle that all persons be afforded equal access to positions in public service based on their ability to do the job. Employment decisions shall be made on the basis of merit and in conformity with the principles of equal opportunity action.

Through adoption of the Equal Employment Opportunity Program, the Board of Supervisors commits the County, the operating departments, the Equal Employment Opportunity Coordinator, and all employees to a results-oriented Equal Employment Opportunity Program aimed at attaining a balanced workforce at all levels of County employment and achieving equal opportunity in County service.

EQUAL BENEFITS COMPLIANCE ORDINANCE NO. 04026

CHAPTER 2.84

ORDINANCE NO 04026

AN ORDINANCE OF THE SAN MATEO COUNTY ORDINANCE CODE (TITLE 2, ADMINISTRATION), REQUIRING SPECIFIED COUNTY CONTRACTORS TO PROVIDE FOR NON-DISCRIMINATION BY COUNTY CONTRACTORS IN THE PROVISION OF EMPLOYEE BENEFITS

WHEREAS, employee benefits routinely comprise a significant proportion of total employee compensation; and

WHEREAS, discrimination in the provision of employee benefits between employees with domestic partners and employees with spouses results in unequal pay for equal work; and

WHEREAS, County of San Mateo law prohibits discrimination based on marital status and/or sexual orientation; and

WHEREAS, it is the County's intent, through the contracting practices outlined herein, to equalize the total compensation between similarly situated employees with spouses and employees with domestic partners;

Section 1. The Board of Supervisors of the County of San Mateo, State of California, **ORDAINS** as follows:

Chapter 2.84 CONTRACTS – EQUAL BENEFITS

2.84.010 Definitions.

For the purposes of this chapter,

- A. “Contract” means a legal agreement between the County and a contractor for public works, consulting, or other services, or for purchase of supplies, material or equipment for which the consideration is in excess of \$5,000.
- B. “Contractor” means a party who enters into a contract with the County.
- C. “Contract Awarding Authority” means the Board of Supervisors or the individual authorized by the Board of Supervisors to enter into contracts on behalf of the County.
- D. “Domestic Partner” means any person who is registered as a domestic partner with the Secretary of State, State of California registry or the registry of the state in which the employee is a resident.

- E. "Employee Benefits" means the provision of any benefit other than pension and retirement benefits provided to spouses of employees or provided to an employee on account of the employee's having a spouse, including but not limited to bereavement leave; disability, life, and other types of insurance; family medical leave; health benefits; membership or membership discounts; moving expenses; vacation; travel benefits; and any other benefits given to employees, provided that it does not include benefits to the extent that the application of the requirements of this chapter to such benefits may be preempted by federal or state law.
(Ord. 4324, 08/15/06)

2.84.020 Discrimination in the provision of benefits prohibited.

(a) No contractor on a County contract shall discriminate in the provision of employee benefits between an employee with a domestic partner and an employee with a spouse, subject to the following conditions:

1. In the event that the contractor's actual cost of providing a particular benefit for the domestic partner of an employee exceeds that of providing it for the spouse of an employee, or the contractor's actual cost of providing a particular benefit to the spouse of an employee exceeds that of providing it for the domestic partner of an employee, the contractor shall not be deemed to discriminate in the provision of employee benefits if the contractor conditions providing such benefit upon the employee's agreement to pay the excess costs.
2. The contractor shall not be deemed to discriminate in the provision of employee benefits if, despite taking reasonable measures to do so, the contractor is unable to extend a particular employee benefit to domestic partners, so long as the contractor provides the employee with a cash payment equal to the contractor's cost of providing the benefit to an employee's spouse.

(b) The Board of Supervisors may waive the requirements of this chapter when it determines that it is in the best interests of the County. The County Manager may waive the requirements of this chapter for contracts not needing the approval of the Board of Supervisors where waiver would be in the best interests of the County for such reasons as follows:

1. Award of a contract or amendment is necessary to respond to an emergency;
2. The contractor is a sole source;
3. No compliant contractors are capable of providing goods or services that respond to the County's requirements;
4. The requirements are inconsistent with a grant, subvention or agreement with a public agency;

5. The County is purchasing through a cooperative or joint purchasing agreement;

(c) Contractors should submit requests for waivers of the terms of this chapter to the Contract Awarding Authority for that contract, or in the case of Contracts approved by the Board, the County Manager.

(d) The Contract Awarding Authority, or in the case of contracts approved by the Board, the County Manager, may reject an entity's bid or proposals, or terminate a contract, if the Contract Awarding Authority determines that the entity was set up, or is being used, for the purpose of evading the intent of this chapter.

(e) No Contract Awarding Authority shall execute a contract with a contractor unless such contractor has agreed that the contractor will not discriminate in the provision of employee benefits as provided for in this chapter. (Ord. 4324, 08/15/06)

2.84.030 Application of Chapter.

The requirements of this chapter shall only apply to those portions of a contractor's operations that occur (i) within the County; (ii) on real property outside of the County if the property is owned by the County or if the County has a right to occupy the property, and if the contractor's presence at that location is connected to a Contract with the County; and (iii) elsewhere in the United States where work related to a County Contract is being performed. The requirements of this Chapter shall not apply to subcontracts or subcontractors of any contract or contractor. (Ord. 4324, 08/15/06)

2.84.040 Powers and duties of the County Manager.

The County Manager's office shall have the authority to:

- (a) Adopt rules and regulations, in accordance with this chapter and the Ordinance Code of the County of San Mateo, establishing standards and procedures for effectively carrying out this chapter.
- (b) Receive notification from employees of contractors regarding violations of this chapter.
- (c) Determine and recommend to the Board of Supervisors for final decision the imposition of appropriate sanctions for violation of this chapter by contractors including, but not limited to:
 1. Disqualification of the contractor from bidding on or being awarded a County contract for a period of up to 5 years; and
 2. Contractual remedies, including, but not limited to termination of contract.
 3. Liquidated damages in the amount of \$2,500.
- (d) Examine contractors' benefit programs covered by this chapter;

- (e) Impose other appropriate contractual and civil remedies and sanctions for violations of this chapter;
- (f) Allow for remedial action after a finding of non-compliance, as specified by rule;
- (g) Perform such other duties as may be required or which are necessary to implement the purposes of this chapter. (Ord. 4324, 08/15/06)

2.84.050 Date of Application.

The provisions of this chapter shall apply to any contract awarded or amended on or after July 01, 2001, provided that if the contractor is then signatory to a collective bargaining agreement, this chapter shall only apply to any contract with that contractor which is awarded or amended after the effective date of the next collective bargaining agreement. (Ord. 4324, 08/15/06)

Section 2. Severability – The provisions of this ordinance are declared to be separate and severable. If a court of competent jurisdiction, all appeals having been exhausted or all appeal periods having run, finds any provision of this ordinance to be invalid or unenforceable as to any person or circumstance, such offending provision shall, if feasible, be deemed to be modified to be within the limits of enforceability or validity. However, if the offending provision cannot be so modified, it shall be null and void with respect to the particular person or circumstance, and all other provisions of this ordinance in all other respects, and the offending provision with respect to all other persons and all other circumstances, shall remain valid and enforceable.

COUNTY OF SAN MATEO
Equal Benefits Compliance Declaration Form
(To Be Submitted with Proposal)

I Vendor Identification

Name of Contractor: _____
Contact Person: _____
Address: _____
Phone Number: _____ Fax Number: _____

II Employees

Does the Contractor have any employees? _____ Yes _____ No
Does the Contractor provide benefits to spouses of employees? _____ Yes _____ No

*If the answer to one or both of the above is no, please skip to Section IV. *

III Equal Benefits Compliance (Check One)

- Yes, the Contractor complies by offering equal benefits, as defined by Chapter 2.84, to its employees with spouses and its employees with domestic partners.
- Yes, the Contractor complies by offering a cash equivalent payment to eligible employees in lieu of equal benefits.
- No, the Contractor does not comply.
- (NOTE: **DO NOT CHECK THIS BOX** unless the said agreement was executed/renewed on or before July 1, 2001. If checked, a copy of the collective bargaining agreement shall be submitted with Proposal.)*
The Contractor is under a collective bargaining agreement which began ***on or before July 1, 2001*** and expires on _____ (date). (Section 2.84.050)

IV Declaration

I declare under penalty of perjury under the laws of the State of California that the foregoing is true and correct, and that I am authorized to bind this entity contractually.

Executed this _____ day of _____, 20____ at _____, _____.
(City) (State)

Signature

Name (Please Print)

Title

Contractor Tax Identification Number

CONTRACTOR EMPLOYEE JURY SERVICE ORDINANCE NO. 04269

CHAPTER 2.85

ORDINANCE NO 04269

AN ORDINANCE OF THE SAN MATEO COUNTY ORDINANCE CODE (TITLE 2, ADMINISTRATION), REQUIRING SPECIFIED COUNTY CONTRACTORS TO PROVIDE PAID JURY SERVICE TO FULL-TIME EMPLOYEES

The Board of Supervisors of the County of San Mateo, State of California, **ORDAINS** as follows:

Chapter 2.85 CONTRACTOR EMPLOYEE JURY SERVICE

2.85.010 Definitions

For the purposes of this chapter,

- (a) “Contract” means a legal agreement between the County and a contractor for public works, consulting, or other services, or for purchase of supplies, material or equipment.
- (b) “Contractor” means a party who enters into a contract with the County for which the contractor receives consideration of \$100,000 or more.
- (c) “Contract Authority” means the Board of Supervisors or the head of the department or agency presenting the proposed contract to the Board of Supervisors.
- (d) “Employee “ means any California resident who is a full-time employee of a contractor under the laws of California.
- (e) “Full time “ means 40 hours or more worked per week, or a lesser number of hours if (1) the lesser number is a recognized industry standard as determined by the County Manager, or (2) the contractor has a long standing practice that defines the lesser number of hours as full time. (Ord. 4324, 08/15/06)

2.85.020 Contractor jury service policy

- (a) A contractor shall have and adhere to a written policy that provides that its employees shall receive from the contractor, on an annual basis, no less than five days of regular pay for actual jury service in San Mateo County. The policy may provide that employees deposit any fees received for such jury service with the contractor or that the contractor deduct from the employees’ regular pay the fees received for jury service.
- (b) At the time of seeking a contract, a contractor shall certify to the County that it has and adheres to a policy consistent with this chapter or will have and adhere to such a policy prior to award of the contract.

- (c) The Board of Supervisors may waive the requirements of this chapter when it determines that it is in the best interests of the County for such reasons as follows:
 - (1) Award of a contract or amendment is necessary to respond to an emergency;
 - (2) The contractor is a sole source;
 - (3) No compliant contractors are capable of providing goods or services that respond to the County's requirements;
 - (4) The requirements are inconsistent with a grant, subvention or agreement with a public agency;
 - (5) The County is purchasing through a cooperative or joint purchasing agreement.
- (d) Contractors should submit requests for waivers of the terms of this chapter to the Contract Authority or the County Manager.
- (e) The County Manager may reject a contractor's bid or proposal, or terminate a contract, if he determines that the contractor is in violation of the requirements of this chapter or was established, or is being used, for the purpose of evading the intent of this chapter.
- (f) No contract shall be executed with a contractor unless such contractor is in compliance with this chapter. (Ord. 4324, 08/15/06)

2.85.030 Powers and duties of the County Manager

The County Manager's office shall have the authority to:

- (a) Adopt rules and regulations, in accordance with this chapter and the Ordinance Code of the County of San Mateo, establishing standards and procedures for effectively carrying out this chapter.
- (b) Receive notification from employees of contractors regarding violations of this chapter.
- (c) Determine and recommend to the Board of Supervisors for final decision the imposition of appropriate sanctions for violation of this chapter by contractors including, but not limited to:
 - (1) Disqualification of the contractor from bidding on or being awarded a County contract for a period of up to 5 years; and
 - (2) Contractual remedies, including, but not limited to termination of contract.
- (d) Impose other appropriate contractual sanctions for violations of this chapter;
- (e) Allow for remedial action after a finding of non-compliance;

- (f) Perform such other duties as may be required or which are necessary to implement the purposes of this chapter. (Ord. 4324, 08/15/06)

2.85.040 Date of Application

The provisions of this chapter shall apply to any contract awarded or amended on or after September 01, 2005, provided that if the contractor is then signatory to a collective bargaining agreement, this chapter shall only apply to any contract with that contractor which is awarded or amended after the effective date of the next collective bargaining agreement. (Ord. 4324, 08/15/06)

COUNTY OF SAN MATEO
Employee Jury Service Compliance Declaration Form
(To Be Submitted with Proposal)

I Vendor Identification

Name of Contractor: _____
Contact Person: _____
Address: _____
Phone Number: _____ Fax Number: _____

II Employees

Does the Contractor have any employees? _____ Yes _____ No

*If the answer to the above is no, please skip to Section IV. *

III Contractor Employee Jury Service Compliance (Check One)

- Yes, the Contractor complies by offering paid employee jury service, as defined by Chapter 2.85, to its employees.
- The Contractor will have and adhere to, prior to award of the Contract, a policy that complies by offering paid employee jury service, as defined by Chapter 2.85, to its employees.
- No, the Contractor does not comply.
- (NOTE: **DO NOT CHECK THIS BOX** unless the said agreement was executed/renewed on or before September 1, 2005. If checked, a copy of the collective bargaining agreement shall be submitted with Proposal.)*

The Contractor is under a collective bargaining agreement which began ***on or before September 1, 2005*** and expires on _____ (date). (Section 2.85.040)

IV Declaration

I declare under penalty of perjury under the laws of the State of California that the foregoing is true and correct, and that I am authorized to bind this entity contractually.

Executed this _____ day of _____, 20____ at _____, _____.
(City) (State)

Signature

Name (Please Print)

Title

Contractor Tax Identification Number

NON-COLLUSION DECLARATION FORM

THIS FORM SHALL BE EXECUTED BY BIDDER AND SUBMITTED WITH BID.

The undersigned declares:

I am the _____ of _____, the party making the foregoing bid.

The bid is not made in the interest of, or on behalf of, any undisclosed person, partnership, company, association, organization, or corporation. The bid is genuine and not collusive or sham. The bidder has not directly or indirectly induced or solicited any other bidder to put in a false or sham bid. The bidder has not directly or indirectly colluded, conspired, connived, or agreed with any bidder or anyone else to put in a sham bid, or to refrain from bidding. The bidder has not in any manner, directly or indirectly, sought by agreement, communication, or conference with anyone to fix the bid price of the bidder or any other bidder, or to fix any overhead, profit, or cost element of the bid price, or of that of any other bidder. All statements contained in the bid are true. The bidder has not, directly or indirectly, submitted his or her bid price or any breakdown thereof, or the contents thereof, or divulged information or data relative thereto, to any corporation, partnership, company, association, organization, bid depository, or to any member or agent thereof, to effectuate a collusive or sham bid, and has not paid, and will not pay, any person or entity for such purpose.

Any person executing this declaration on behalf of a bidder that is a corporation, partnership, joint venture, limited liability company, limited liability partnership, or any other entity, hereby represents that he or she has full power to execute, and does execute, this declaration on behalf of the bidder.

I declare under penalty of perjury under the laws of the State of California that the foregoing is true and correct and that this declaration is executed on _____ [Date], at _____ [City], _____ [State].

“Contractor”

(Print)

(Signature)

CERTIFICATION OF BIDDER'S QUALIFICATIONS AND EXPERIENCE

(To Be Submitted With Proposal)

The undersigned Bidder certifies that it is, at the time of bidding, and shall be, throughout the period of the contract, licensed under the provisions of Chapter 9, Division 3, of the Business and Professions Code of the State of California, to do the type of work contemplated in the Contract Documents. Bidder further certifies that it is skilled and regularly engaged in the general class and type of work called for in the Contract Documents.

The Bidder represents that it is competent, knowledgeable, and has special skills concerning the nature, extent, and inherent conditions concerning the work to be performed. Bidder further acknowledges that there are certain inherent conditions existent in the construction of the project which may create, during the construction program, unsafe conditions hazardous to persons and property. Bidder expressly acknowledges that it is aware of such risks and that it has the skill and experience to foresee and to adopt protective measures to adequately and safely perform the construction work with respect to such hazards.

A. ESSENTIAL REQUIREMENTS FOR QUALIFICATION

If the answer to any of questions 1 through 4 is “yes,” or if the answer to question 5 is “no,” the Bidder will be deemed ineligible or not responsible for purposes of the Contract.

1. Has your contractor's license been revoked at any time in the last 5 years?
 Yes No

2. Has a surety firm completed a contract on your behalf, or paid for completion because your firm was default terminated by the project owner within the last 5 years?
 Yes No

3. At the time of submitting this qualification form, is your firm ineligible to bid on or be awarded a public works contract, or perform as a subcontractor on a public works contract, pursuant to either Labor Code Section 1777.1 or Labor Code section 1777.7?
 Yes No

4. At any time during the last 5 years, has your firm or any of its owners or officers been convicted of a crime involving the awarding of a contract of a government construction project, or the bidding or performance of a government contract?
 Yes No

5. The Bidder has been engaged in the contracting business, under the present business name for at least 5 years and has experience in work of a nature similar to this project?
 Yes No

B. COMPANY EXPERIENCE

The Bidder, as a Contractor, has never failed to satisfactorily complete a contract awarded to it, except as follows:

For the County of San Mateo to consider the Bidder properly experienced in work of similar nature to this project, the Bidder must list at least one project that involved construction of underground utility joint trench, construction of green infrastructure features such as bioretention facilities, and work under or around active railroad tracks within the last 10 years.

Any projects listed below which are not as defined above will not be considered by the County of San Mateo in meeting this experience requirement.

Bidder also certifies that Bidder self-performed at least 50 percent of the Work when acting as a general contractor or ten percent (10 percent) of the Work when acting as a subcontractor on each of the projects listed below. The County of San Mateo considers this level of past self-performance demonstrates a benefit to a Project in terms of better control of cost, schedule and safety.

If the Bidder is a Joint Venture of two or more companies, each participant in the Joint Venture shall meet this prior project experience requirement and provide project information for each Joint Venture participant in the format below.

1. **Project Name and Description:** _____

Owner: _____

General Contractor or Subcontractor for Project: _____

Work Performed: _____

Total Construction Cost: \$ _____

Dollar Amount of Bidder's Work: \$ _____

Construction Time: _____ **Calendar Days**

Owner's Representative: _____

Owner's Telephone No.: _____

Date of Substantial Completion: _____

2. **Project Name and Description:** _____

Owner: _____

General Contractor or Subcontractor for Project: _____

Work Performed: _____

Total Construction Cost: \$ _____

Dollar Amount of Bidder's Work: \$ _____

Construction Time: _____ **Calendar Days**

Owner's Representative: _____

Owner's Telephone No.: _____

Date of Substantial Completion: _____

3. **Project Name and Description:** _____

Owner: _____

General Contractor or Subcontractor for Project: _____

Work Performed: _____

Total Construction Cost: \$ _____

Dollar Amount of Bidder's Work: \$ _____

Construction Time: _____ **Calendar Days**

Owner's Representative: _____

Owner's Telephone No.: _____

Date of Substantial Completion: _____

4. **Project Name and Description:** _____

Owner: _____

General Contractor or Subcontractor for Project: _____

Work Performed: _____

Total Construction Cost: \$ _____

Dollar Amount of Bidder's Work: \$ _____

Construction Time: _____ **Calendar Days**

Owner's Representative: _____

Owner's Telephone No.: _____

Date of Substantial Completion: _____

5. **Project Name and Description:** _____

Owner: _____

General Contractor or Subcontractor for Project: _____

Work Performed: _____

Total Construction Cost: \$ _____

Dollar Amount of Bidder's Work: \$ _____

Construction Time: _____ **Calendar Days**

Owner's Representative: _____

Owner's Telephone No.: _____

Date of Substantial Completion: _____

The undersigned hereby states that all representations regarding the Bidder's Company Experience are correct and true.

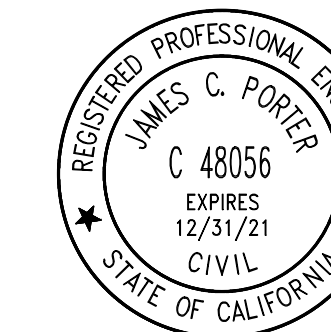
Signed this _____ day of _____, 20____

Bidder's Company Name

Authorized Signature

Date

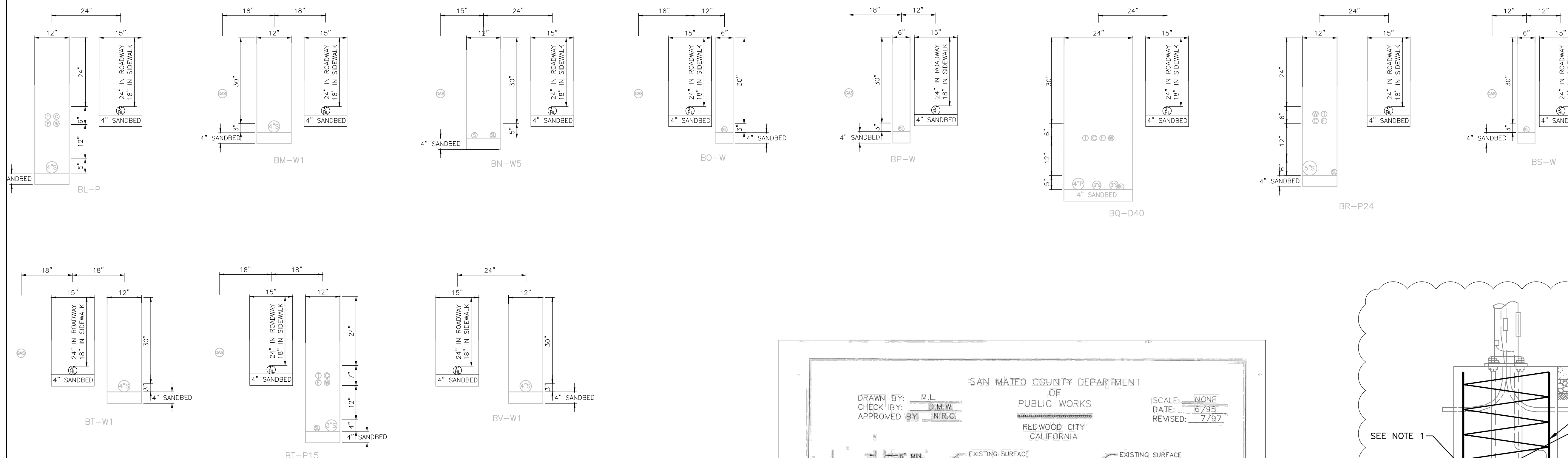
Name and Title of Signator



APPROVED:

DATE: 11/24/2020

JAMES C. PORTER, DIRECTOR OF PUBLIC WORKS
R. C. E. # 48056 / EXPIRES 12-31-2021



NOTES:

1. DEPTH OF EXISTING UTILITIES SHOWN IS APPROXIMATE. CONTRACTOR TO CONFIRM DEPTH OF EXISTING UTILITIES.
2. CONTRACTOR TO ADJUST TRENCH AND UTILITIES DEPTHS TO MAINTAIN A 12" CLEARANCE BETWEEN FIBER AND POWERED CONDUITS.
3. JT INFORMATION SHOWN ON THIS SHEET IS FOR REFERENCE ONLY, REFER TO JT DRAWINGS FOR DETAILS.
4. REFER TO JT DRAWINGS FOR JOINT TRENCH BACKFILL DETAILS. REFER TO TS-13 FOR TRAFFIC SIGNAL, HOLIDAY LIGHT, AND WIFI CONDUIT BACKFILL DETAIL.

LEGEND:

- HL HOLIDAY LIGHT AND WIFI POWER CONDUIT
- TS TRAFFIC SIGNAL CONDUIT

BULKU243624
BULK VAULT HDPE STRUCTURAL FOAM SHIELD X COMPOSITE COVER

FEATURES:

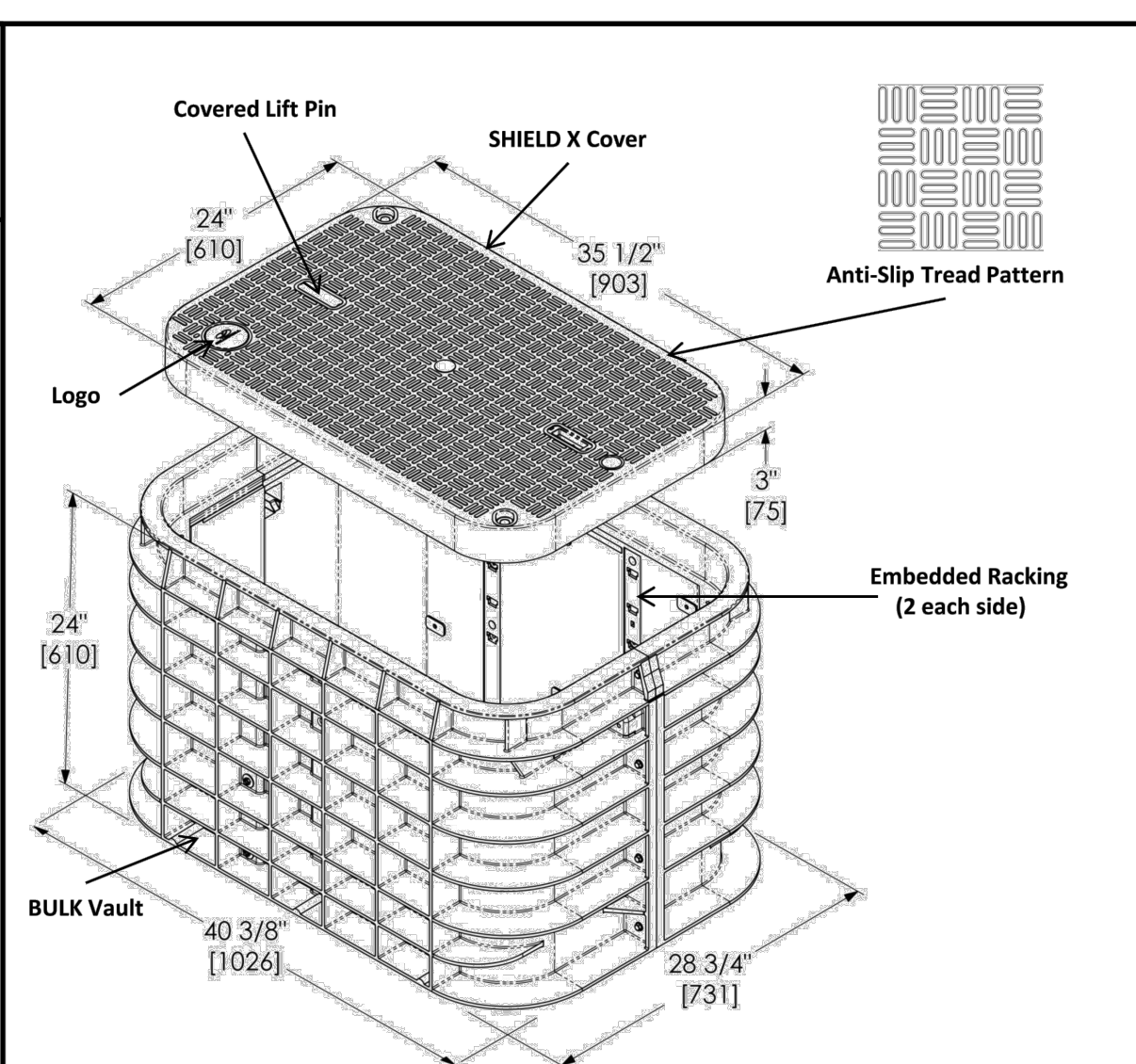
- 24" X 36" X 24" (open floor) (actual dimensions on drawing)
- BULK VAULT - SHIELD X COVER- Tier 22 Load Rated (ANSI/SCTE 77: 2013)
- (2) Cover locking Auger bolts, Hex (9/16") or Penta (7/8") head with washer
- (2) Non-Seizing Fastening System, Field Replaceable
- (4) Embedded Composite Rack Support
- (2) Lifting slot equipped with stainless steel pin (slot is approximately 2 3/4"x4")
- (2) Winterized Cable Drop slide (1 3/4" X 1 1/4")
- (1) Logo Disk

WEIGHT & SHIPPING:

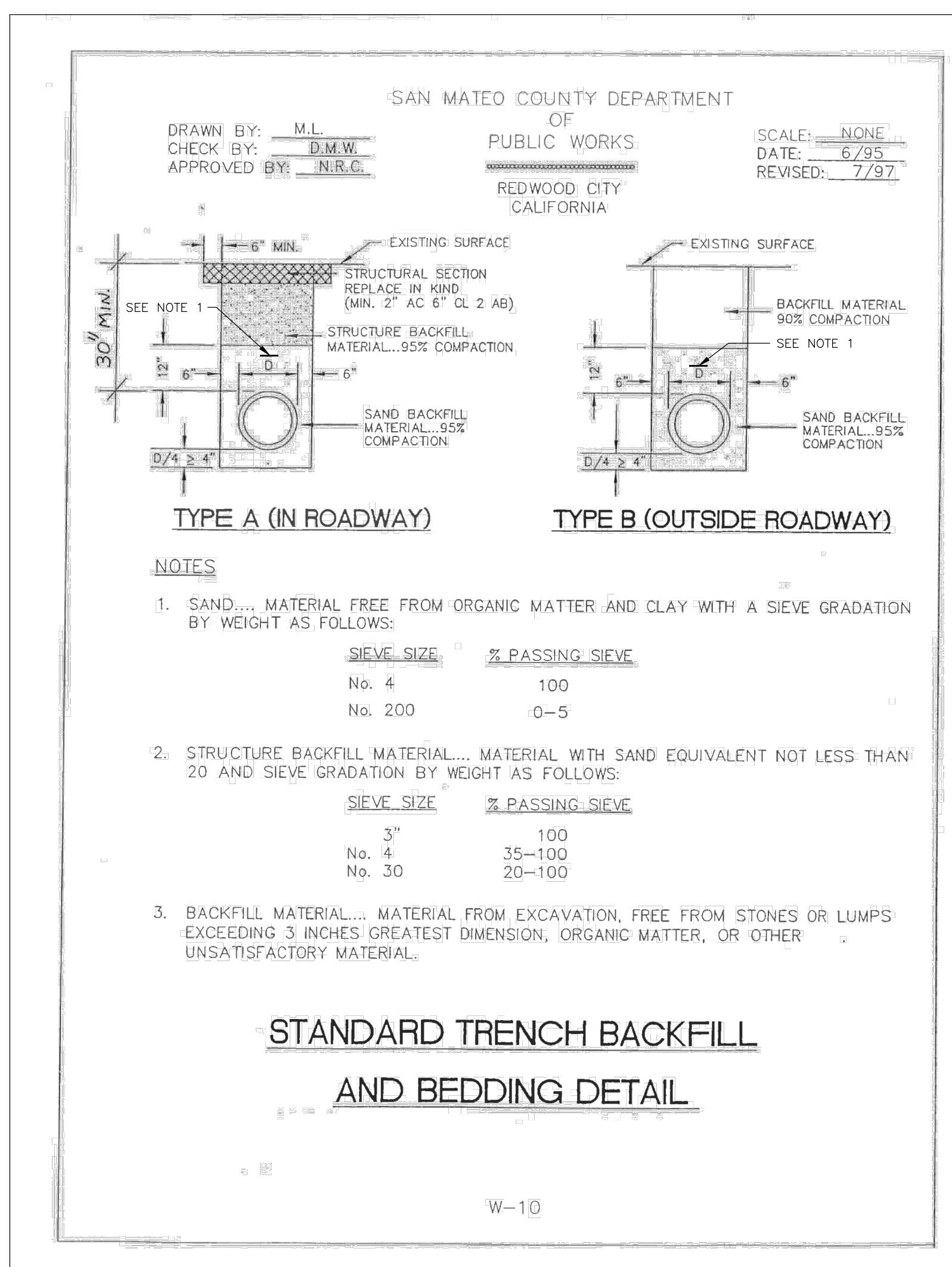
- Cover Weight: 47 lbs
- Box Weight: 55 lbs
- Assembly Weight : 102 lbs

PERFORMANCE TESTING:

- ANSI/SCTE 77: 2013 - TIER 22 Rated (33,750 lbs)
- AS3996 - Class C
- EN124 Class B125
- ASTM C1028-07 & AS-4586 (Slip Resistance)
- 10,000 Hour Xenon-Arc Exposure (No fiber-bloom)
- ASTM D635-06 (Flammability)



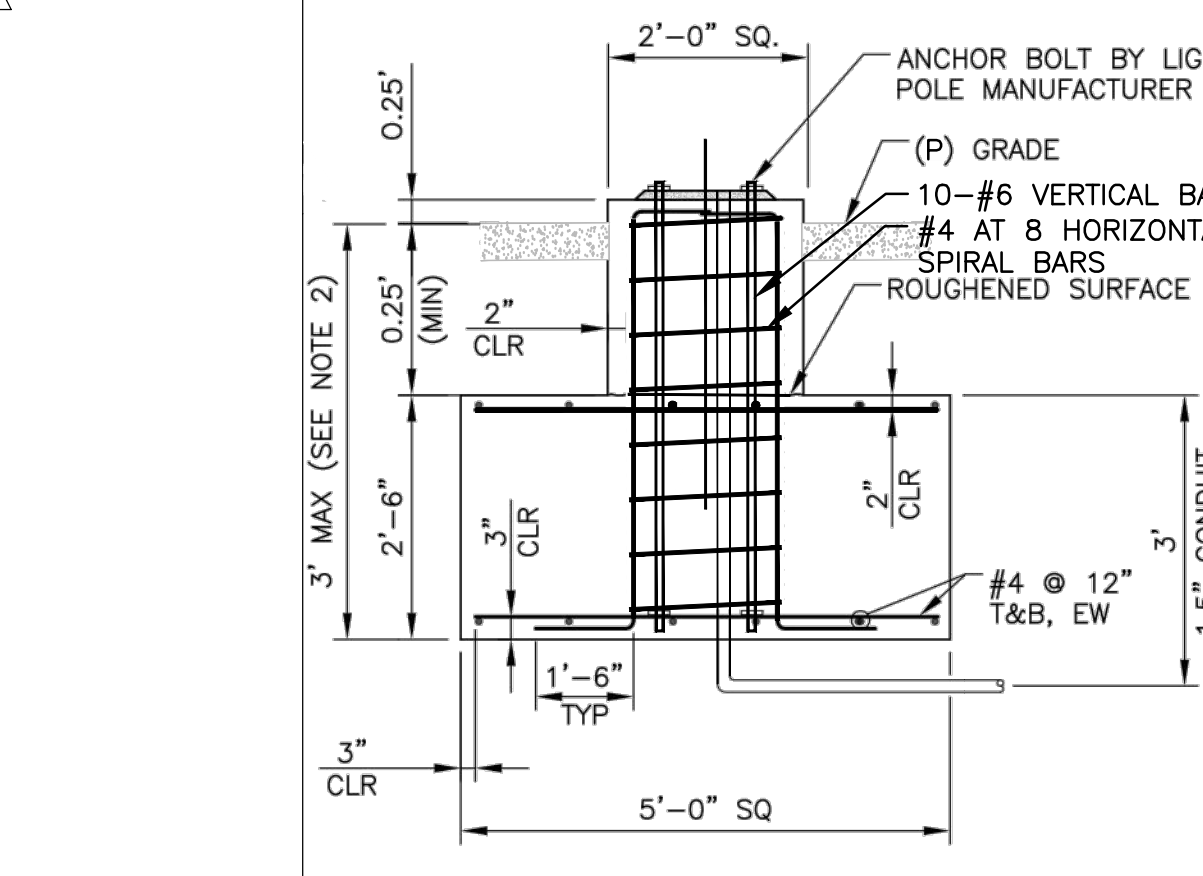
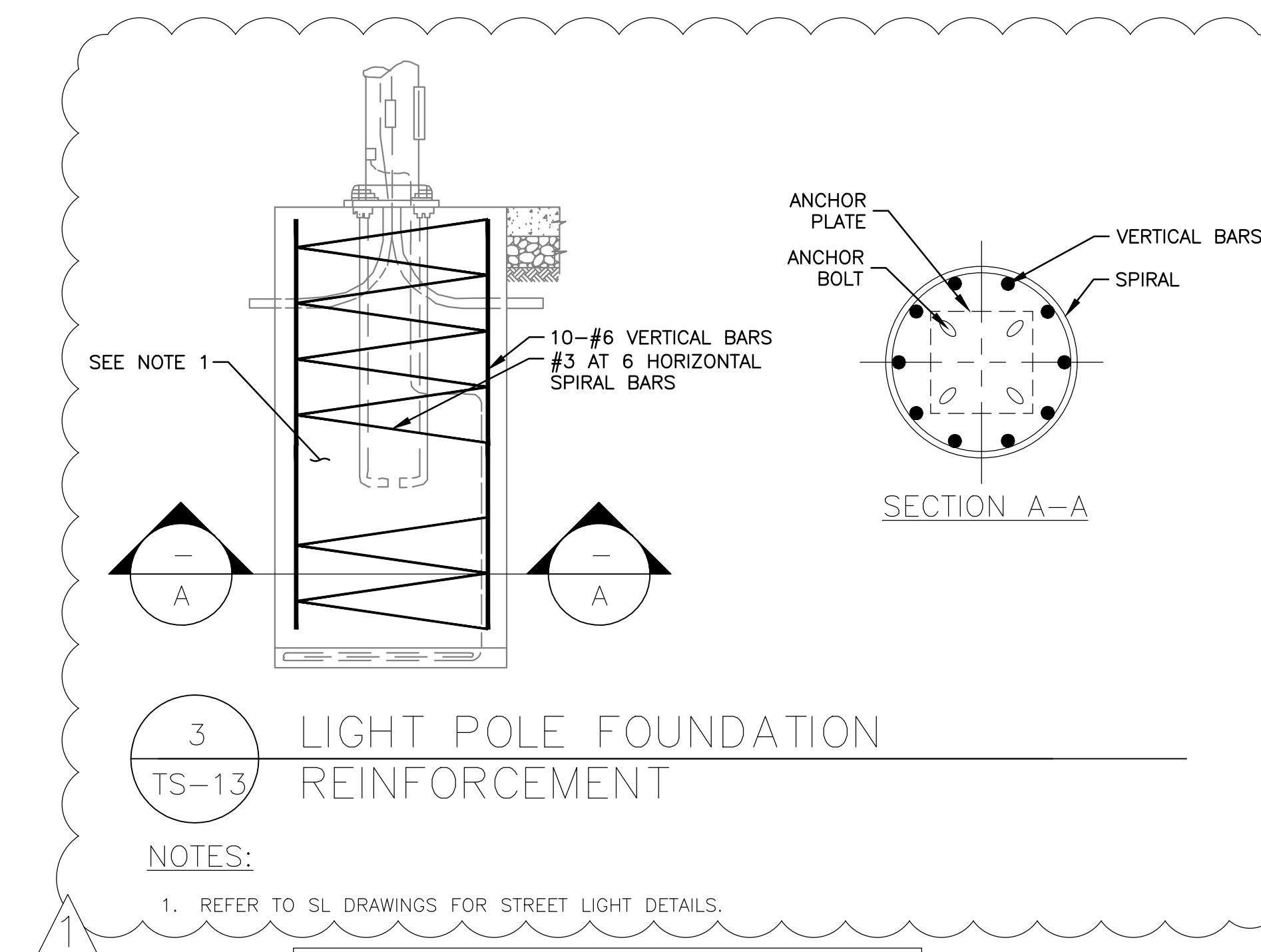
Inside Dimensions		
Length	Width	Depth
34 3/4" [873]	22 3/4" [578]	21" [533]



2 STANDARD TRENCH BACKFILL AND BEDDING DETAIL

NOTES:

1. COLORED-CODED DETECTABLE UTILITY MARKING TAPE SHALL BE PLACED OVER NEW CONDUIT IN THE TRENCH. REFER TO TAPE MANUFACTURER'S RECOMMENDATIONS FOR MAXIMUM TAPE BURIAL DEPTH.

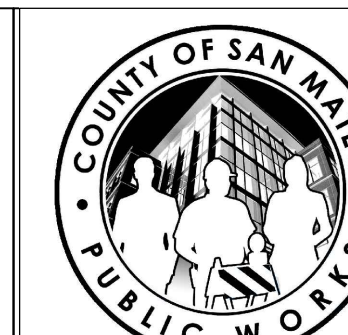
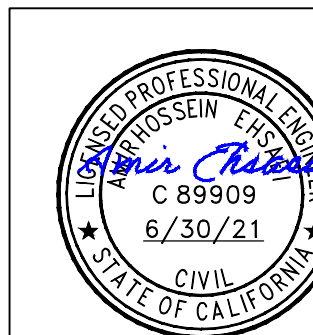


3 LIGHT POLE FOUNDATION SHALLOW FOOTER

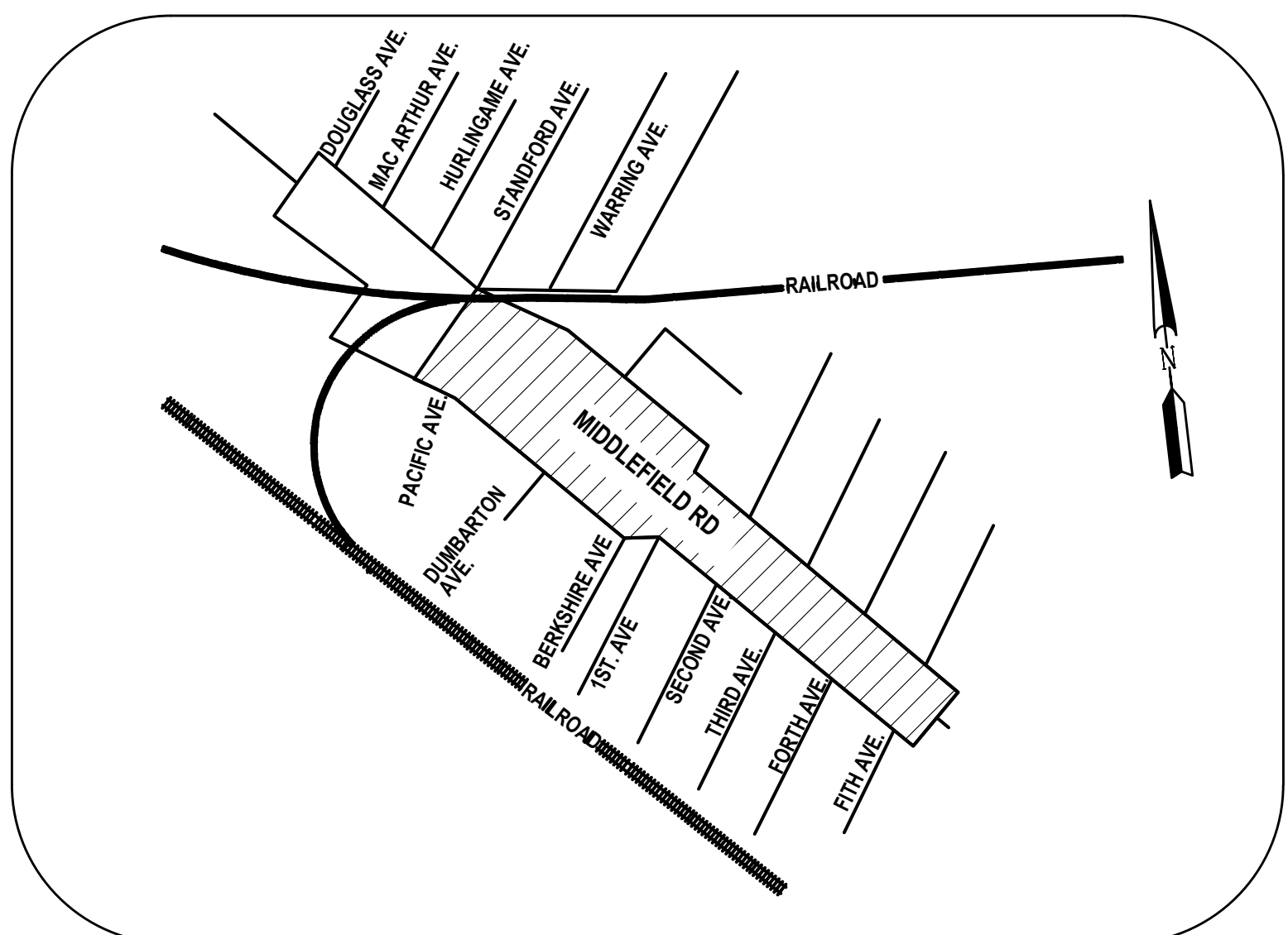
NOTES:

1. REFER TO SL DRAWINGS FOR STREET LIGHT DETAILS.

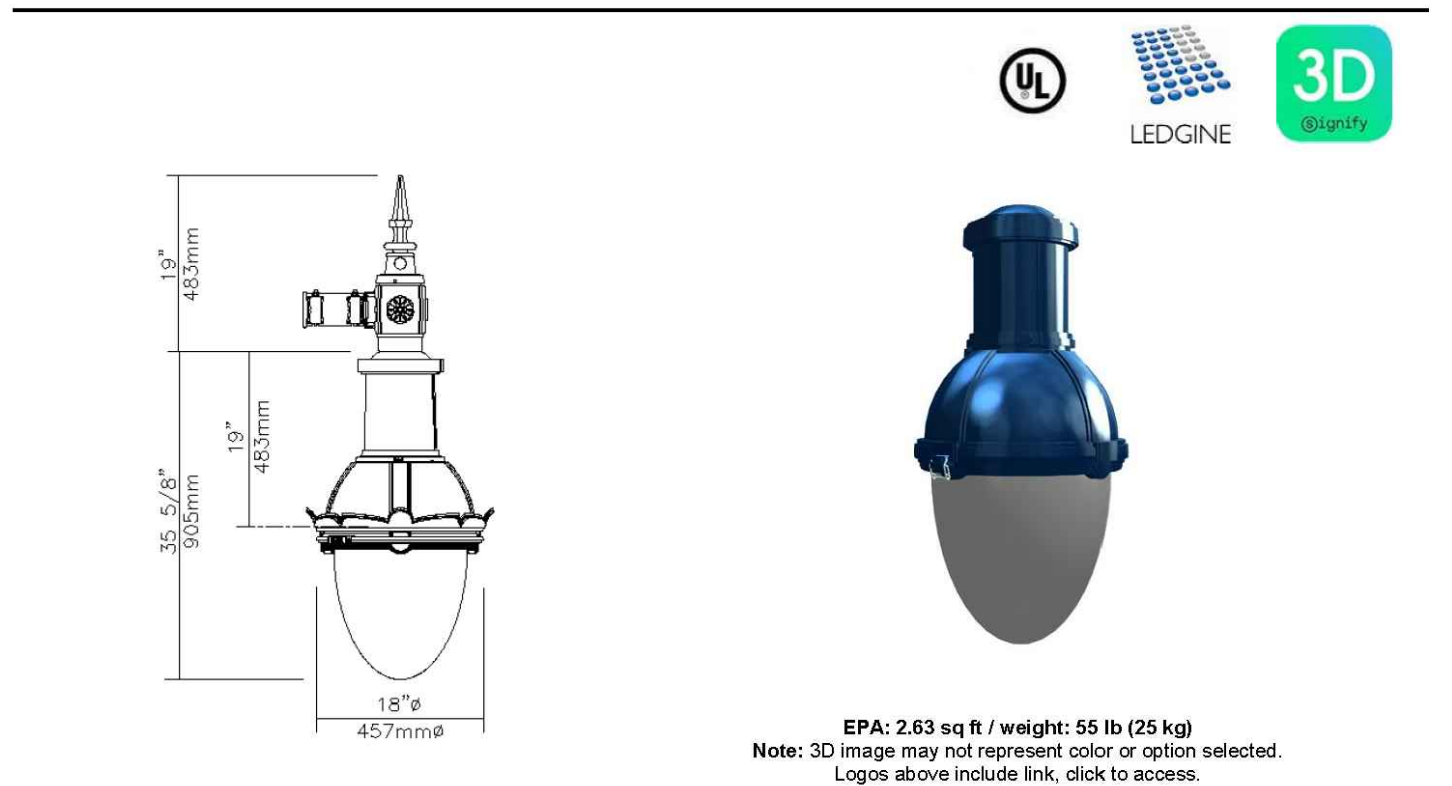
1 WIFI VAULT



DESIGNED BY: AE	COUNTY OF SAN MATEO	SCALE: AS SHOWN
CHECKED BY: TS	MIDDLEFIELD ROAD IMPROVEMENT PROJECT	DATE: 10-16-2020
DRAWN BY: JY	TRAFFIC SIGNAL, HOLIDAY LIGHT, AND WIFI CONDUIT	FILE NO: 1/E4931
ISSUE FOR BID: 10-16-20	JAMES C. PORTER, DIRECTOR OF PUBLIC WORKS	555 COUNTY CENTER, 5th FLOOR
REVISION: DATE	SAN MATEO COUNTY	REDWOOD CITY, CALIFORNIA 94063
FOR REDUCED PLANS ORIGINAL SCALE IS IN INCHES		TS-13 (rev) SHEET 73 OF 140



Middlefield Road – Redwood City Lumec LED RN20 90W – CRM8 arm – RS856V-22' pole (24.5' MH)



City	Type Luminaire	Roadway Fixture RN20-90W80LED4K-T-ACDR-LE3R-UNV-DMG-(SMA-013)-CR1-[RCD7-019]-RAL 3011
------	----------------	------------------------------------------------------------------------------------------

Description of Components:

Hood: Injection die cast A360.1 aluminium dome, mechanically assembled on the luminaire housing.

Housing: In a round shape, this housing is made of injection die cast A360.1 aluminium, complete with a decorative crown and a weatherproof door giving a tool-free access to the ballast, without disconnection of wiring, mechanically assembled. This suspension system permits a full rotation of the luminaire in 90 degree increments.

Access-Mechanism: Injection die cast A360.1 aluminium frame with latch and hinge, complete with cast-in security block for frame's open position. The mechanism shall offer tool-free access to the inside of the luminaire. An embedded memory-retentive gasket shall ensure weatherproofing.

Light Engine: LEDgine composed of 5 main components: **Globe / LED Module / Optical System / Heat Sink / Driver**. Electrical components are RoHS compliant.

Heat Sink: Made of cast aluminium optimising the LEDs efficiency and life. Product does not use any cooling device with moving parts (only passive cooling device).

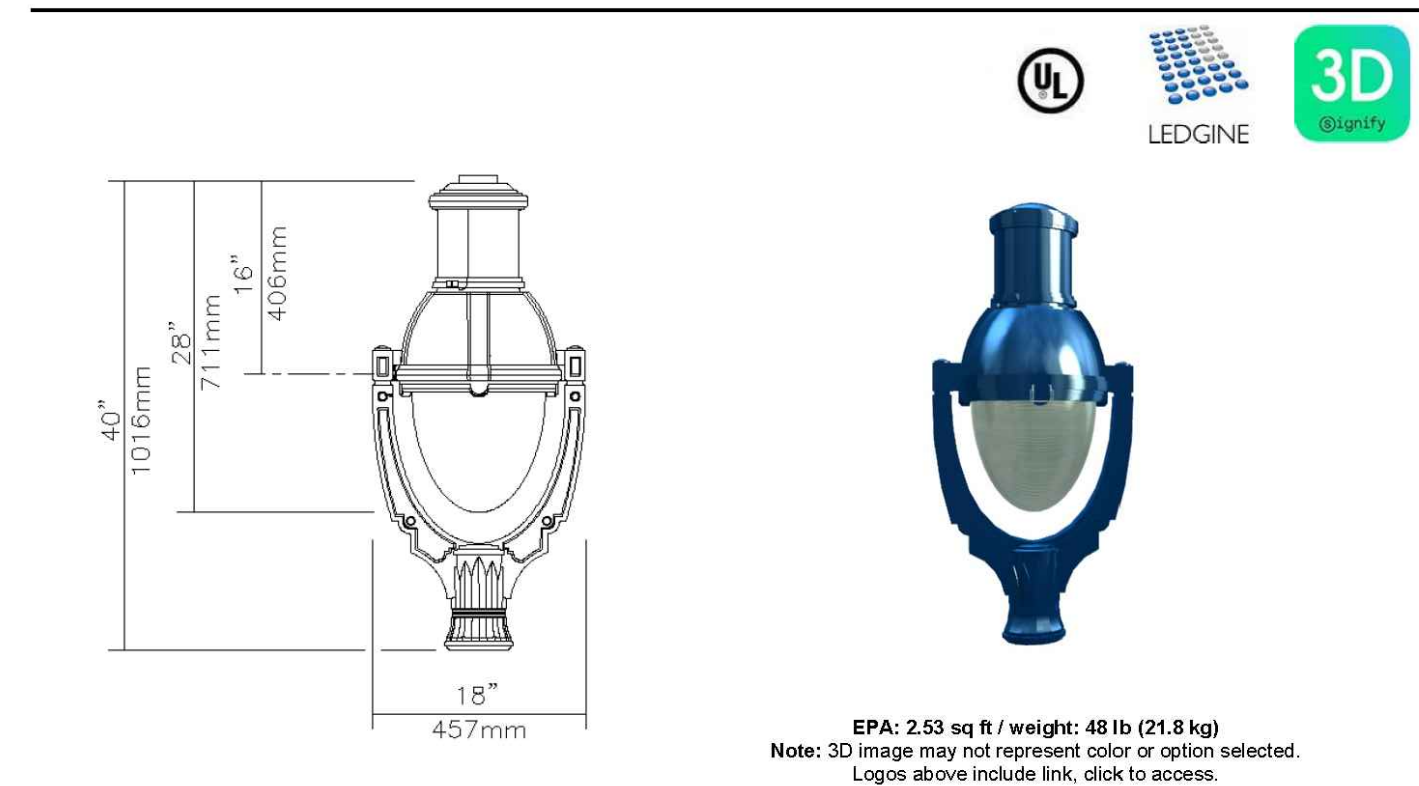
Globe: (ACDR). Made of one-piece seamless injection-molded impact-resistant (DR) acrylic having an inner prismatic surface. Complete with a semi-prismatic house side shield and external glare softening prisms. The globe is mechanically assembled and sealed onto the lower part of the heat sink.

LED Module: LED type Philips Lumileds LUXEON T. Composed of 80 high-performance white LEDs. Color temperature as per ANSI/NEMA bin Neutral White, 4000 Kelvin nominal (3985K +/- 275K or 3710K to 4260K), CRI 70 Min. 75 Typical.

LCP70498-83947-1(SAJMA) do
c 09-18-2020 Page 1



Middlefield Road – Redwood City Lumec RNS20-YM – R80U-14.5-TBC1 (RCD7 control ready)



City	Type Luminaire	Pedestrian assembly [RNS20-013]-55W32LED4K-T-ACDR-LE3-UNV-DMG-YM-[RCD7-019]-RAL 3011
------	----------------	-----------------------------------------------------------------------------------------

Description of Components:

Hood: Cast 356 aluminium dome, mechanically assembled on the housing.

Housing: In a round shape, this housing is made of die cast A380 aluminium, welded to the yoke.

Access-Mechanism: A gravity die cast 356 aluminium frame with latch and hinge. The mechanism shall offer tool-free access to the inside of the luminaire. An embedded memory-retentive gasket shall ensure weatherproofing.

Light Engine: LEDgine composed of 4 main components: **Heat Sink / LED Module / Optical System / Driver**. Electrical components are RoHS compliant.

Heat Sink: Made of cast aluminium optimising the LEDs efficiency and life. Product does not use any cooling device with moving parts (only passive cooling device).

Globe: (ACDR). Made of one-piece seamless injection-molded impact-resistant (DR) acrylic having an inner prismatic surface. Complete with a semi-prismatic house side shield and external glare softening prisms. The globe is mechanically assembled and sealed onto the lower part of the heat sink.

LED Module: LED type Philips Lumileds LUXEON T. Composed of 32 high-performance white LEDs. Color temperature as per ANSI/NEMA bin Neutral White, 4000 Kelvin nominal (3985K +/- 275K or 3710K to 4260K), CRI 70 Min. 75 Typical.

Optical System: (LE3). IES type III (asymmetrical). Composed of high-performance optical grade PMMA acrylic refractor lenses to achieve desired distribution optimized to get maximum spacing, target lumens and a superior lighting uniformity.

LCP70499-83947-2(SAJMA) do
c 09-18-2020 Page 1



APPROVED: _____
DATE: 11/24/2020
JAMES C. PORTER, DIRECTOR OF PUBLIC WORKS
R. C. E. # 48056 / EXPIRES 12-31-2021

PUBLIC ELECTRICAL SPECIFICATIONS

These electrical procedures are to be used in conjunction with the latest National Electrical Code (N.E.C.) and Menlo Park Highway Lighting District requirements.

MATERIALS

The Electrical Inspector shall approve all materials used for wiring, including conduit or boxes, as well as acceptable lighting fixtures.

All materials shall bear the seal of "U.L." listing or equivalent agency.

Construction materials shall be accepted and inspected by the County's Inspectors. Concrete used for foundations and encompassing pads shall be "Minor concrete". Unless otherwise specified by a State of California Certified Structural engineer or Registered Civil Engineer. Drain rock shall be used to set all in-ground pull boxes and junction boxes and shall be 1 inch minimum to 2 inch maximum diameter drain rock.

Lighting fixtures shall be the brand and design as shown. No substitution shall be allowed without prior approval.

PRE-JOBS AND INSPECTIONS

Prior to construction, a pre-job meeting shall be called by the County's representative and held on site. This pre-job meeting should include the superintendent or County's representative, the contractor or contractors who will be responsible for installation of all aspects of the lighting (excluding the interior building lighting), the County's Electrical Inspector and the Landscape Architect.

CONDUIT

Underground circuits shall be P.V.C. schedule 40, unless otherwise noted. Electrical street light conduit shall be placed under road pavement as directed by the County. Electric street light conduit within County limits shall be placed under road pavement and as directed by the County. Circuits can be placed in existing conduit where applicable or as directed by City or County.

Electrical conduit trenches shall be backfilled only after the Electrical Inspector has accepted the conduit run for materials used and depth of conduit. The Inspector shall inspect the backfill and compaction to ensure it meets the engineering plans and specifications.

LOCATION

The contractor shall include time in his bid for nighttime aiming as directed.

FOUNDATIONS

All direct burial lighting fixtures shall be installed as per the N.E.C. listing requirements and the manufacturer's design. Installation detail for foundations of all lighting structures shall be provided.

SERVICE BOXES

All in-ground junction boxes shall be easily accessible for maintenance purposes. Box type and size shall be accepted by the Electrical Inspector. All boxes shall be set on a 12 inch thick cushion of drain rock. Drain rock shall be 1 inch minimum to 2 inches maximum in dimension. At the bottom of the box there shall be one inch minimum thick grout on roofing paper, with a drain hole one inch minimum to 2 inches maximum in size in the center of the box. If a box is beside a streetlight or other pole light, it shall be set to finished grade and included within the concrete pad for that pole. They will not be allowed in the walkway or vehicular traffic areas. If there is no sidewalk, the box shall be set to grade behind the curb. If a box is within a landscaped area, it shall be set to finished grade such that water and landscaping material will not flow into it or cover it from view. Boxes shall not be left above grade to become a trip hazard. Provide brass hold down bolts.

WIRING AND SPlicing

All lighting circuits shall be copper THW or THHN 600 volt rated. Splices shall be water proof per Cal-Trans Section 86. A code size ground shall be installed in all circuits. All metal parts shall be bonded. Multiple circuits in the same conduit shall be clearly labeled with Brady or equivalent labels.

PERMIT

The contractor shall be responsible for obtaining the electrical permit and County encroachment permit.

P.G. & E. FEES

The County will pay the P.G. & E. connection fees. Contractor shall coordinate service connection.

BURN TEST

Contractor to perform a (5) day burn test prior to acceptance.

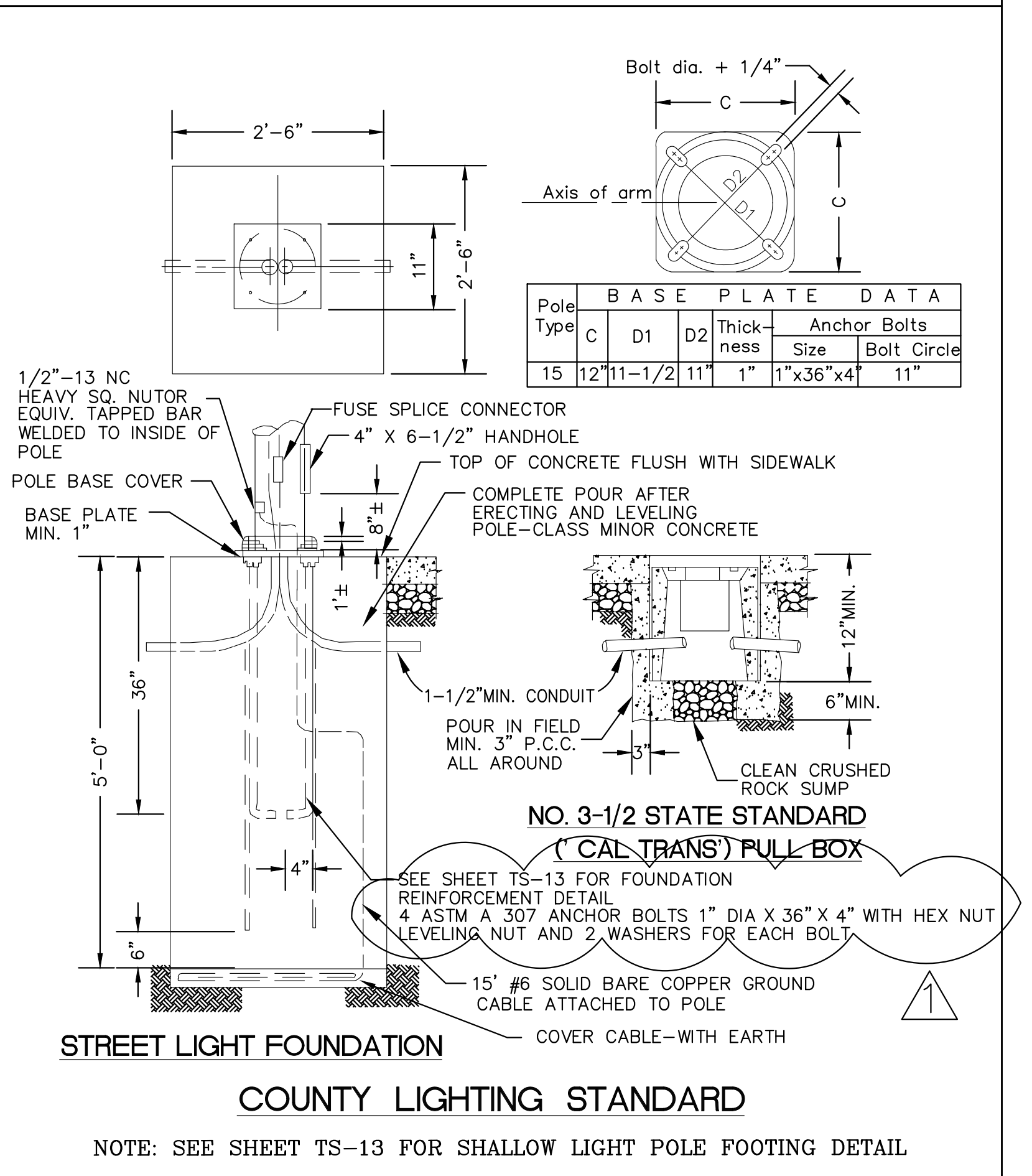
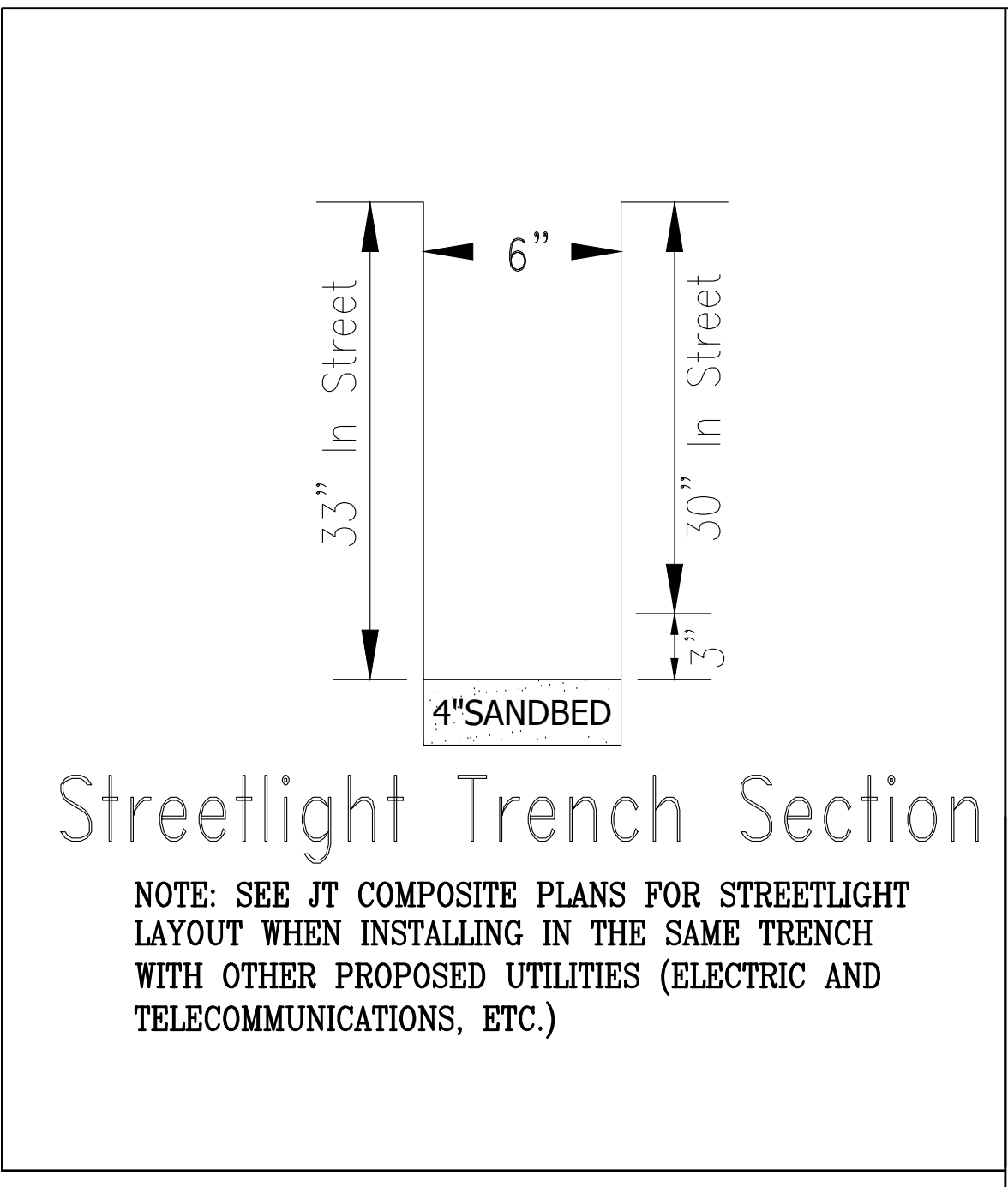
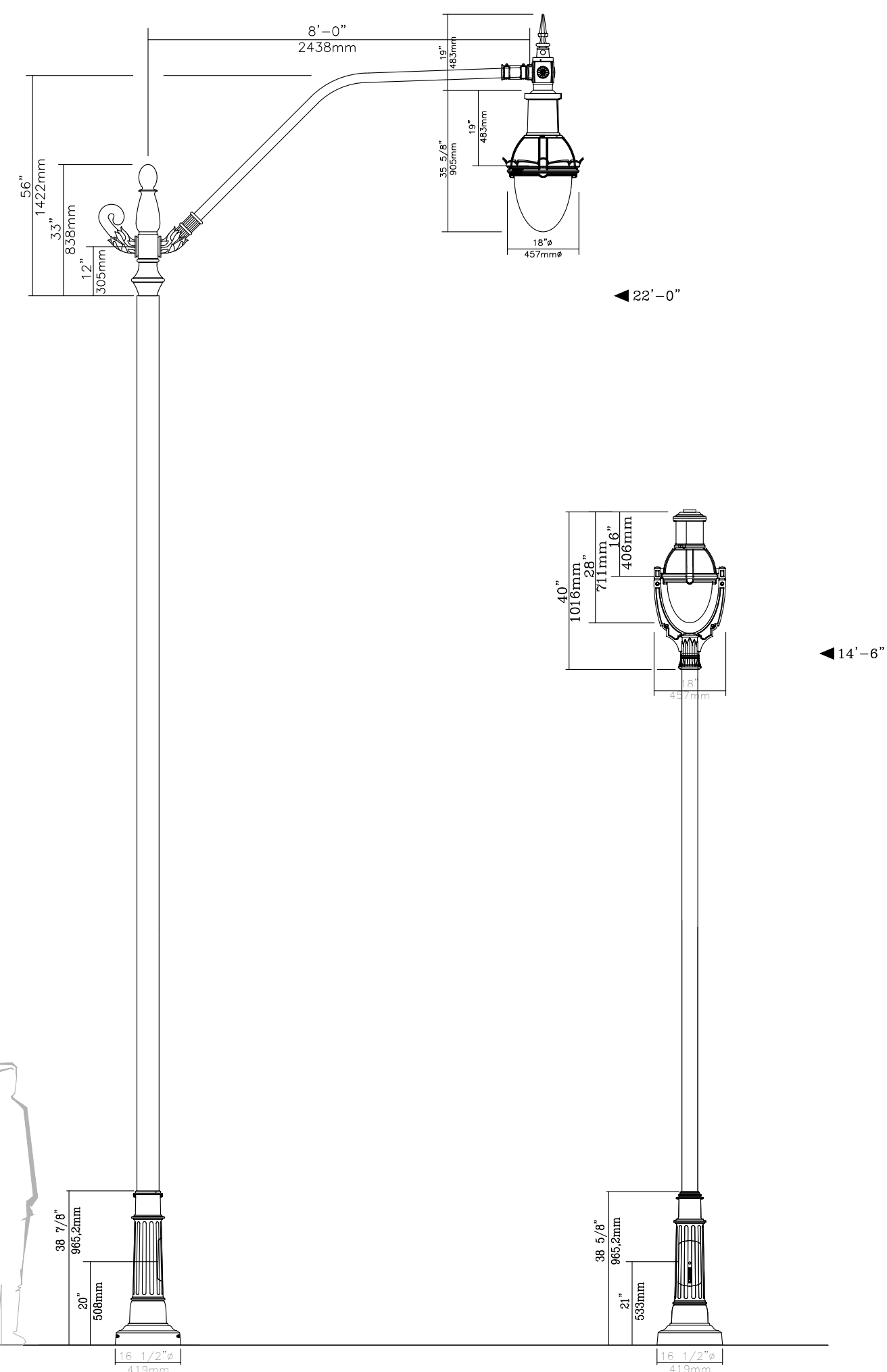
All materials and workmanship shall be guaranteed for one year.

PER-CONSTRUCTION

Contractor to contact USA and/or pothole any possible conflicts prior to construction.

NOTE: Contractor shall mark all light locations in the field, check condition of conduits to be used for this project, and report to the engineer any deficiencies prior to starting any construction work.

Sheet Index
SL-1 ELECTROLIER TITLE SHEET
SL-2 THUR SL-6 ELECTROLIER PLANS



TEAR-DROP ELECTROLIER: CRM8-1A-RS856V-22-RAL 3011
DECORATIVE ELECTROLIER: R80U-14.5-TBC1-RAL 3011

Vizion Utility PARTNERS
UTILITY ENGINEERS, CONSULTANTS & STREETLIGHT DESIGN
7901 STONERIDGE DR, SUITE 200 PLEASANTON, CA 94588
Tel (925) 662-1114

THIS PLAN ACCURATE FOR ELECTRICAL WORK ONLY

DESIGNED BY: S.W.
CHECKED BY: D.V.
DRAWN BY: S.W.

ADDENDUM 11/20/2020
ISSUE FOR BID 10/16/2020
REVISION DATE

MIDDLEFIELD ROAD UNDERGROUND UTILITY DISTRICT (PHASE II) ELECTROLIER TITLE SHEET

JAMES C. PORTER, DIRECTOR OF PUBLIC WORKS
SAN MATEO COUNTY

555 COUNTY CENTER, 5th FLOOR
REDWOOD CITY, CALIFORNIA 94063

SCALE: N.T.S.
DATE: 11-20-2020
FILE NO: 1/E4931

VIZION PROJECT MANAGER: T. NGUYEN

FOR REDUCED PLANS ORIGINAL SCALE IS IN INCHES

VIZION DATE LAST WORKED ON: 04-10-2020

SL-1(REV) SHEET 135 OF 140

FILENAME: F:\DROPPBOX\PROJECTS\2019\15-646 MIDDLEFIELD ROAD, REDWOOD CITY\CA WORK\15-646-5L.DWG (SL-1)